

SLICER PROFI LINE



Item: 210000
210017
210031
210048

You should read this user manual carefully before using the appliance.

Bevor Sie das Gerät in Betrieb nehmen, sollten Sie diese Gebrauchsanweisung aufmerksam lesen.

Alvorens de apparatuur in gebruik te nemen dient u deze gebruiksaanwijzing aandachtig te lezen.

Przed uruchomieniem urządzenia należy koniecznie dokładnie przeczytać niniejszą instrukcję obsługi.

Lisez attentivement ce mode d'emploi avant d'utiliser l'appareil .

Prima di utilizzare l'apparecchio in funzione leggere attentamente le istruzioni per l'uso.

Citiți cu atenție prezentul manual de utilizare înainte de folosirea aparatului.

Внимательно прочитайте руководство пользователя перед использованием прибора.

Πρέπει να διαβάσετε αυτές τις οδηγίες χρήσης προσεκτικά πριν χρησιμοποιήσετε τη συσκευή.



Keep these instructions with the appliance.
Diese Gebrauchsanweisung bitte beim Gerät aufbewahren.
Bewaar deze handleiding bij het apparaat.
Zachowaj instrukcję urządzenia
Gardez ces instructions avec cet appareil.
Conservate le istruzioni insieme all'apparecchio.
Păstrați manualul de utilizare alături de aparat.
Хранить руководство вместе с устройством.
Φυλάξτε αυτές τις οδηγίες μαζί με τη συσκευή.



For indoor use only.
Nur zur Verwendung im Innenbereich.
Alleen voor gebruik binnenshuis.
Do użytku wewnątrz pomieszczeń.
Pour l'usage à l'intérieur seulement.
Destinato solo all'uso domestico.
Doar pentru uz la interior.
Использовать только в помещениях.
Για χρήση μόνο σε εσωτερικό χώρο.



For item 210017 only.
Nur für Artikel 210017.
Alleen voor artikel 210017.
Dla pozycji numer 210017 tylko.
Pour l'article 210017 seulement.
Solo per articolo 210017.
Numai pentru articolul 210017.
Только для элемента 210017.
Για το στοιχείο 210017 μόνο.

Technical specifications / Technische Daten / Technische gegevens / Parametry techniczne / Données techniques / Dati tecnici / Specificații tehnice / Технические данные / Τεχνικές προδιαγραφές

Article number / Artikelnummer / Artikelnummer / Numer artykułu / Numéro d'article / Codice / Numarul articolului / Номер артикула / Αριθμός προϊόντος	210031	210048	210000	210017
AC power supply / Versorgungsspannung / Voedingsspanning / Zasilanie AC / Consommation / Alimentazione / AC de alimentare / Питание AC / Παροχή εναλλασσόμενου ρεύματος AC		220-240V~ / 50 Hz 220-240B~ / 50 Гц		
Power / Leistung / Orgenomen vermogen / Moc wejściowa / Puissance / Potenza / Putere / Мощность / Ισχύς εισόδου	200W	280W	320W	420W
Blade diameter / Messerdurchmesser / Diameter mes / Średnica ostrza / Diamètre / Diametro lama / Diametrul lamei / Диаметр лезвия / Διάμετρος λεπίδας	195 mm / мм	220 mm / мм	250 mm / мм	300 mm / мм
Waterproof protection class / Wasserbeständigkeitsklasse / Beschermingsklasse waterdichtheid / Klasa wodoodporności / Résistance à l'eau / Classe di resistenza all'acqua / Clasa de protecție contra apei / Класс влагозащиты / Κλάση προστασίας νερού			IP33	
Protection class / Sichterheitsklasse / Beschermingsklasse / Stopień ochrony / Classe de protection / Classe di sicurezza / Clasă protecție / Степень защиты / Βαθμός προστασίας				Class I / Klasse I / Klasse I / Klasa I / Classe I / Classe I / Clasa I / Класс I / Κατηγορία I
Noise level / Geräuschpegel / Geluidsproductie / Poziom hałasu / Niveau sonore / Livello di rumore / Nivel zgomot / Уровень шума / Επίπεδο θορύβου				< 70 dB (A) / дБ (A)



Dear Customer,

Thank you for purchasing this HENDI appliance. Before using the appliance for the first time, please read this manual carefully, paying particular attention to the safety regulations outlined below.

Safety regulations


- This appliance is intended for commercial use only and must not be used for household use.
- The appliance must only be used for the purpose for which it was intended and designed. The manufacturer is not liable for any damage caused by incorrect operation and improper use.
- Keep the appliance and electrical plug away from water and any other liquids. In the event that the appliance should fall into water, immediately remove plug from the socket and do not use until the appliance has been checked by a certified technician. Failure to follow these instructions could cause a risk to lives.
- Never attempt to open the casing of the appliance yourself.
- Do not insert any objects in the casing of the appliance.
- Do not touch the plug with wet or damp hands.
- **Danger of electric shock!** Do not attempt to repair the appliance yourself. In case of malfunctions, repairs are to be conducted by qualified personnel only.
- **Never use a damaged appliance!** Disconnect the appliance from the electrical outlet and contact the retailer if it is damaged.
- **Warning!** Do not immerse the electrical parts of the appliance in water or other liquids. Never hold the appliance under running water.
- Regularly check the power plug and cord for any damage. If the power plug or power cord is damaged, it must be replaced by a service agent or similarly qualified persons in order to avoid danger or injury.
- Make sure the cord does not come in contact with sharp or hot objects and keep it away from open fire. To pull the plug out of the socket, always pull on the plug and not on the cord.
- Ensure that the cord (or extension cord) is positioned so that it will not cause a trip hazard.
- Always keep an eye on the appliance when in use.
- **Warning!** As long as the plug is in the socket the appliance is connected to the power source.
- Turn off the appliance before pulling the plug out of the socket.
- Never carry the appliance by the cord.
- Do not use any extra devices that are not supplied along with the appliance.
- Only connect the appliance to an electrical outlet with the voltage and frequency mentioned on the appliance label.
- Connect the power plug to an easily accessible electrical outlet so that in case of emergency the appliance can be unplugged immediately. To completely switch off the appliance pull the power plug out of the electrical outlet.
- Always turn the appliance off before disconnecting the plug.

EN



- Never use accessories other than those recommended by the manufacturer. Failure to do so could pose a safety risk to the user and could damage the appliance. Only use original parts and accessories.
- This appliance is not intended for use by persons (including children) with reduced physical, sensory or mental capabilities, or lack of experience and knowledge.
- This appliance must not be used by children under any circumstances.
- Keep the appliance and its cord out of reach of children.
- Always disconnect the appliance from the mains if it is left unattended or is not in use, and before assembly, disassembly or cleaning.
- Never leave the appliance unattended during use.

Special safety regulations

- This appliance is a commercial food processing machine and intended only for slicing foodstuff, e.g. meat, cheese, sausage, bread, etc. The food to be sliced must be thawed, unpacked and free from bones before it can be sliced with the appliance. Any other use may lead to damage of the appliance or personal injury.
- This appliance should not be used for cutting or slicing frozen food, bone-in meat, fish or any non-food product, etc.
- Use the appliance only as described in this manual.
- This appliance should be operated by trained personnel in kitchen of the restaurant, canteens or bar staff, etc.
- Do not place the appliance on a heating object. (gasoline, electric, charcoal cooker, etc.) Keep the appliance away from any hot surfaces and open flames. Always operate the appliance on a level, stable, clean, heat-resistant and dry surface.
- This appliance is not intended to be operated by means of an external timer or separate remote-control system.
-  An equipotential bonding terminal is provided to allow cross bonding with other equipment.
- Never bypass any safety interlocks on the appliance.
- **WARNING:** Keep all ventilation openings in the appliance clear of obstruction.
- **WARNING: ALWAYS** switch off the appliance and unplug from electrical power supply before cleaning, maintenance or storage.
- **WARNING: ALWAYS** keep hands, long hair and clothing away from the moving parts.
- **WARNING:** Take great care when handling the cutting blade. Wear protective gloves (not supplied) if necessary.
- Allow at least 15 cm spacing around the appliance for ventilation purpose during use.
- **Caution!** Securely route the power cord if necessary in order to prevent unintentional pulling or contact with the heating surface.
- Do not wash the appliance with water or waterjet. Washing with water can cause leakage and increase the risk of electric shock. No parts are dishwasher safe.
- Do not clean or store the appliance unless it is completely cooled down.

- Do not move the appliance while it is under operation. Unplug the appliance when moving and hold it at the bottom.
- Special care should be taken when moving or transporting the appliance due to heavy weight. With at least 2 people or using a trolley for assistance. Move the machine slowly, carefully and never be inclined over 45°.

Intended use

- The appliance is intended for professional use and can be operated only by qualified personnel.
- The appliance is designed only for slicing foodstuff, e. g. meats, cheese, breads, etc. Any other use may lead to damage to the appliance or personal injury.
- Operating the appliance for any other purpose shall be deemed a misuse of the device. The user shall be solely liable for improper use of the device.

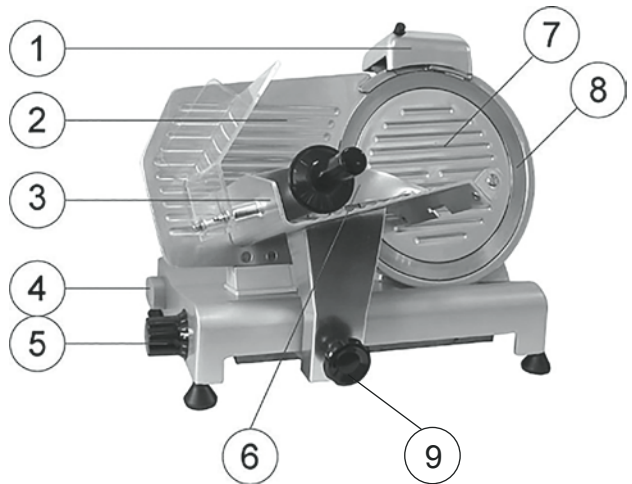
Grounding installation

This appliance is classified as protection class I and must be connected to a protective ground. Grounding reduces the risk of electric shock by providing an escape wire for the electric current.

This appliance is equipped with a cord having a grounding wire with a grounding plug. The plug must be plugged into an outlet that is properly installed and grounded.

Main parts of the appliance

- 1 Blade sharpener
- 2 Stop plate
- 3 Carriage
- 4 On/off switch
[White (I): ON; Black (O): OFF]
- 5 Slice thickness dial
- 6 Product clamp
- 7 Blade guard
- 8 Blade
- 9 Carriage lock
- 10 Blade guard bolt (not displayed)

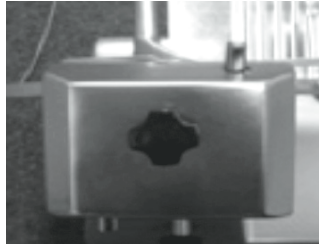


Preparations before using for the first time

- Check to make sure no parts are missing. If any parts are missing, contact your supplier.
- Remove all the packing material.
- Check the appliance for completeness and transport damages. In case of incomplete delivery or damage, contact supplier immediately. DO NOT use the appliance. (See ==> Warranty).
- Clean the blade. Be careful: the blade is very sharp. (Use gloves if necessary, not included)
- Keep open a space of at least 10 cm around the appliance to allow for adequate ventilation.
- Position the appliance in such a way that the plug is always accessible.
- If the sharpening device is not attached, proceed as follows:



1. Top view of the appliance



2. Attach the sharpening module in such a way that the blade does not move between the wheels.

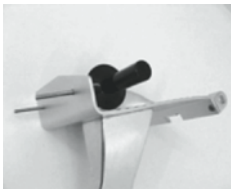


3. Secure the sharpening device to the machine by tightening the holder. Check to make sure that the sharpening device is well secured before using the machine.

EN

NOTE! The sharpening device is equipped with a safety switch. If the sharpening device is not properly attached, you will not be able to use the appliance.

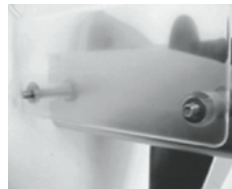
- Attach the hand guard.



1. Place both screws in the carriage.



2. Attach the hand guard.



3. Place the two washers over the white bolts.



4. Screw on the two dome nuts.

NOTE! You are advised not to use the appliance if the hand guard is not attached as instructed! These are safety features that will prevent possible injury. If you do not attach these features, there will be a risk of injury.

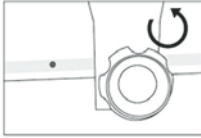


Instructions for use

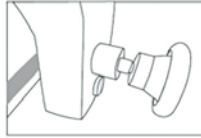
- Position the appliance so that the on/off switch is facing the user.
- If the blade sharpener has not been installed, proceed as follows:
 - Position the blade sharpener in its support so that the blade does not extend between the gears.
 - Tighten the safety screw on the blade sharpener.
 - Note! The appliance is equipped with a safety switch and will turn off automatically if the sharpening device is removed)
- Push the plug in the wall socket.
- Turn the dial with the graduated scale to the desired slice thickness.
- Switch ON the appliance by pressing the "WHITE (I)" button of the ON/OFF switch.
- Put the food product on the carriage and adjust the clamp to hold the product firmly in place. Make sure the product is positioned against the stop plate.
- Once the product has been sliced, switch OFF the appliance by pressing the "BLACK (O)" button of the ON/OFF switch.
- Turn the thickness dial back to "0".

How to Lock the slicer

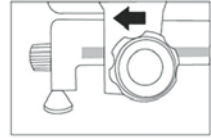
- ① To turn the knob in anti-clockwise direction



- ② Continue to turn the knob until it is loosened COMPLETELY

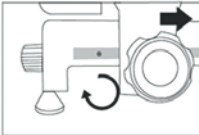


- ③ Move the carriage to the proper position, the slicer will be locked automatically



How to Unlock the slicer

- ① To turn the knob in clockwise direction to unlock the slicer. The knob should be turned COMPLETELY to tighten the carriage



Sharpening the blade

Sharpen the blade when it becomes blunt. The blade is extremely resistant to wear. If used regularly and properly, it should only need to be sharpened once a year.

- Pull the plug from the wall socket.
- Turn the thickness dial to "0".
- Clean the blade.
- Unscrew the sharpener's locking knob.
- Lift the sharpener from the locking device and turn it 180°.
- Both sides of the blade should have 1 sharpening stone.
- Lower the sharpener until it slips back into the locking device.
- Fix the sharpener in place by tightening the locking knob.
- Switch on the appliance. The blade will start to turn.
- Use the button to press the tilted sharpening stone against the blade and keep it there for 2 minutes. The sharpening stone should turn along with the blade.

- Use the button to press the vertical sharpening stone briefly against the blade to remove burrs. The sharpening stone should turn along with the blade.
- Switch off the appliance and pull the plug from the wall socket.
- Unscrew the sharpener's locking knob and clean the sharpening stones with alcohol.
- Replace the sharpener in its original position on the appliance and tighten the locking knob to fix it in place. The blade must not extend between the sharpening stones.
- Immerse in warm, mild soapy water for several minutes. Rinse and dry thoroughly.
- Push the plug in the wall socket. Handle with great care.
- The appliance is ready for use.

EN

Cleaning and maintenance

- **Attention:** Always unplug the appliance from the electrical power outlet and let it cool down completely before cleaning and storage and set the slice thickness knob to "0" position.
- Clean the appliance after each use.
- Warning: Never submerge the appliance in water or other liquids!
- Use a damp cloth to clean surfaces (solution of water and a mild cleaning agent).
- Never use corrosive or abrasive cleaning agents.

Do not use sharp or pointed objects for cleaning. Do not use benzene or solvents! Clean with a damp cloth. Use washing-up liquid if needed, but never abrasive cleaning agents.

- Immerse in warm, mild soapy water for several minutes. Rinse and dry thoroughly.
- Handle with great care.
- If the food carriage stops sliding smoothly, lay the machine on its side. Clean the slide bar carefully and lubricate it with Vaseline

Storage

- Before storage, always make sure the appliance has already been disconnected from the electrical outlet and cooled down completely.
- Store the appliance in a cool, clean and dry place.



Troubleshooting

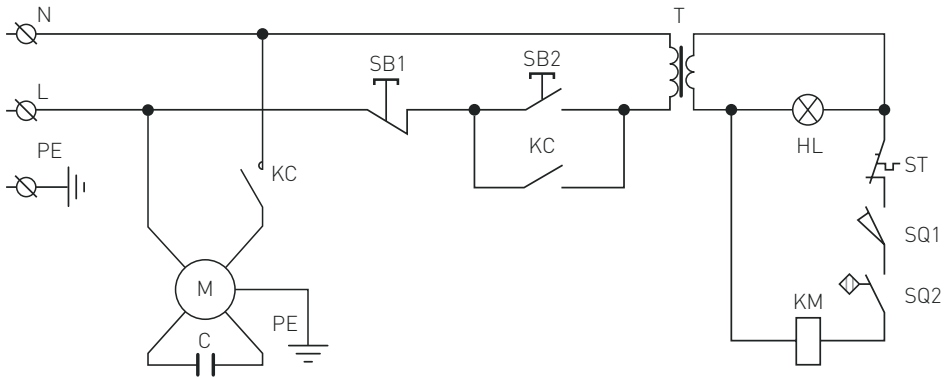
If the appliance does not function properly, please check the below table for the solution. If you are still unable to solve the problem, please contact the supplier/service provider.

Problem	Possible cause	Solution
Appliance does not slice evenly	Blunt blade	Sharpen blade
	Dirty appliance	Clean the appliance
Appliance stops slicing	Overheated motor	Let the machine cool off for an extended period. The motor's safety thermostat will reset itself automatically.
Carriage does not slide	Dirty slide bar	Clean the slide bar and lubricate with Vaseline
	Some food stick to the blade.	Switch off the appliance & unplug it. Let it come to a complete stop. Remove any blockage. Wipe the blade with a damp cloth.
Blade stops when product is being cut	v-belt worn out or dirty	Contact the supplier.

When in doubt, always contact your supplier!

Circuit diagram for 210000, 210017, 210031, 210048

AC voltage input: AC220-240V 50Hz



M : Motor

T : Transformer

C : Capacitor

PE : Protective earthing (Grounding)

L : Live

N : Neutral

SB1, SB2 : Switch

KC : Relay

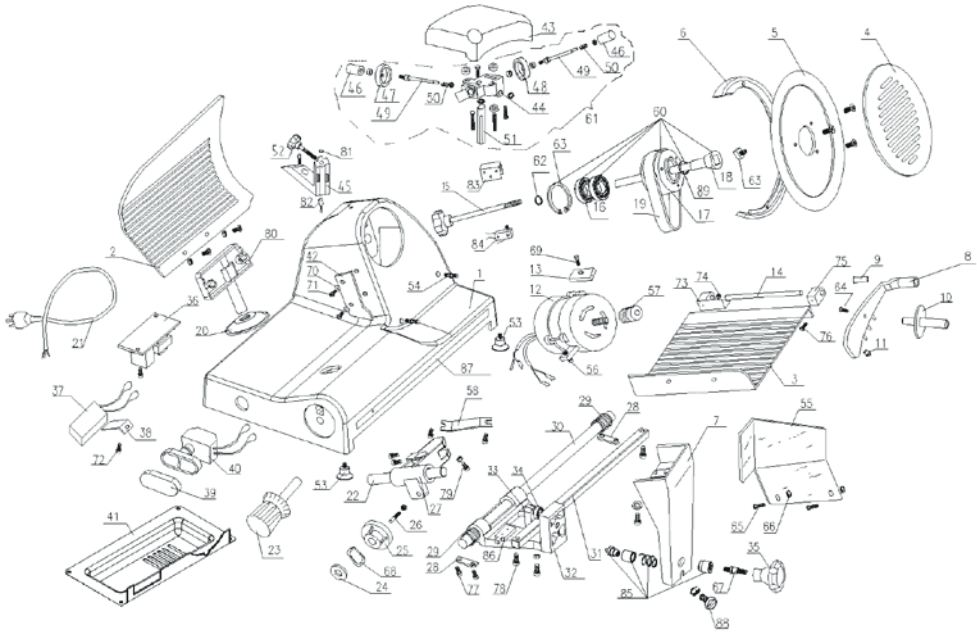
HL : Indicator lamp

ST : Thermal cut-out

SQ1, SQ2 : Micro switch



Part list (Item no: 210000, 210031, 210048)



EN

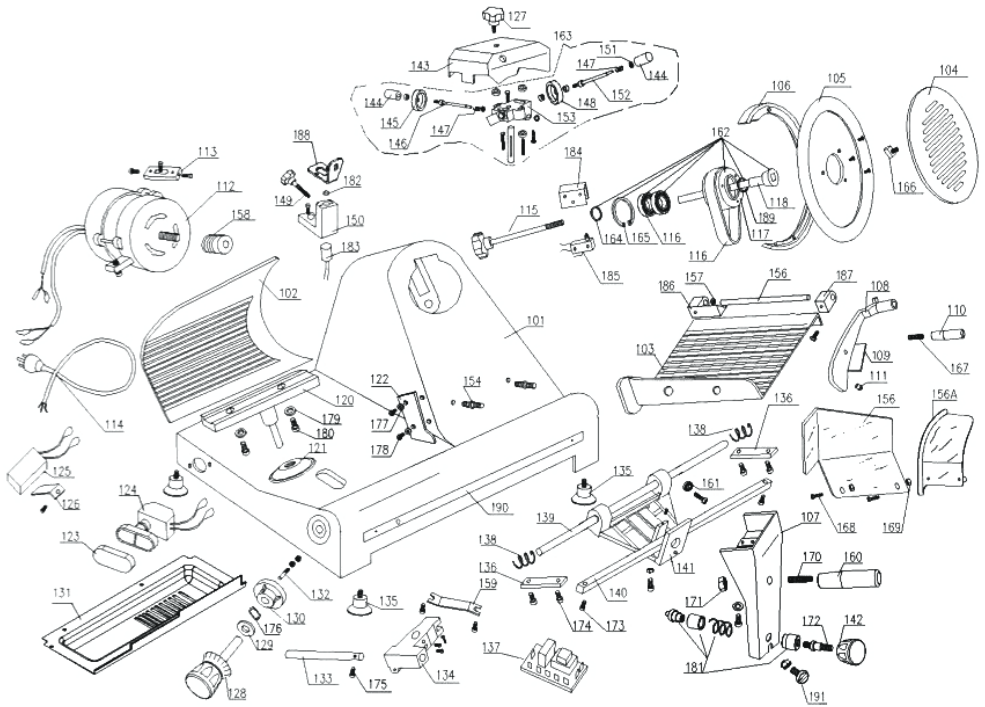
Part no.	Part name	Quantity	Part no.	Part name	Quantity
1	Encloser	1	20	Slide mulch	1
2	Active clapboard	1	21	Power line	1
3	Food salver	1	22	Slide axle	1
4	Blade guard disc	1	23	Knob with scale	1
5	Blade	1	24	Spring gasket	1
6	Blade guarding ring	1	25	Cam	1
7	Tray bracket	1	26	Cam osculant staff	1
8	Food and fixed-arm	1	27	Slider	1
9	Fixed-arm bushing	1	28	Slide axle briquetting	2
10	Fixed-arm handle	1	29	Spring of towing bracket axle	2
11	Plastic granule	1	30	Towing bracket axle	1
12	Motor	1	31	Quadrate axis	1
13	Motor briquetting	1	32	Towing bracket	1
14	Fixed-arm pin Ø12x185	1	33	M8x35Hexagonal screw	1
15	Blade guard bolts	1	34	Ball bearing607	1
16	Ball bearing 6202	2	35	Towing bracket cover knob	1
17	Blade belt wheel Ø66	1	36	Relay	1
18	Pin of belt wheel	1	37	Capacitor	1
19	BeltSV.330	2	38	Capacitor retainer	1



Part no.	Part name	Quantity	Part no.	Part name	Quantity
39	Button mulch	1	65	Fixed-arm handle bolt	1
40	Button switch	1	66	Finger baffle bolt	2
41	Motherboard	1	67	Finger baffle nut	2
42	Meatscraper	1	68	Bracket knob bolt	1
43	Sharpener mulch	1	69	Undee spring gasket	1
44	Sharpener base of subassembly	1	70	Motor impacted bolt	1
45	Sharpener base of assembled	1	71	Meat scraping shim	2
46	Button of sharpener	2	72	Meat scraper bolt	2
47	Fine grinding wheel Ø45	1	73	Capacitor fixation clamp bolt	1
48	Crude grinding wheel Ø45	1	74	Tray bearing cover A	1
49	Pin of rubbing stone	2	75	Meat board bracket	1
50	Spring	2	76	Tray bearing cover B	1
51	Pin of sharpener bracket	1	77	Cross recessed countersunk head M6×12	2
52	Sharpener tighten knob	1	78	Slide axle briquetting bolt	4
53	Active clapboard mandril	1	79	Quadrate axis locking screw	2
54	Rubber foot	4	80	Slider adjust bolt	1
55	Pin of blade guarding ring	2	81	Magnet	1
56	Meat blocking board	1	82	Magnet switch	1
57	Slide axle bracket	2	83	Aluminium block	1
58	Small belt wheel of motor	1	84	Microswitch	1
59	Slide driver	1	85	Stainless steel lock	1
60	Belt wheel setting	1	86	Limited block	1
61	Sharpener setting	1	87	Stainless steel bar	1
62	Ø15 Spring gasket for bearing	1	88	Set screw for tray bracket	1
63	Ø15 Spring gasket for bearing	1	89	Oil seal	1
64	Blade guard disc square-head nut	1			



Part list (Item no: 210017)



Part no.	Part name	Quantity	Part no.	Part name	Quantity
101	Encloser	1	119	BeltSV.400	2
102	Active clapboard	1	120	Supportng base	1
103	Food salver	1	121	Cable jacket	1
104	Guarding blade disc	1	122	Mearscraper	1
105	blade	1	123	Button mulch	1
106	Blade guarding ring	1	124	Button switch	1
107	Tray bracket	1	125	Capacitor	1
108	Food fixed-arm	1	126	Capacitor retainer	1
109	Fixed-arm bushing	1	127	Screw of oriented staff	1
110	Handle	1	128	Knob with scale	1
111	Plastic granule	1	129	Spring gasket	1
112	Motor	1	130	Cam300	1
113	Motor briquetting	1	131	Motherboard	1
114	Power line	1	132	Cam osculant pin	1
115	Blade guard bolts	1	133	Sliding axle	1
116	Ball bearing6204	2	134	Slider	1
117	Belt wheel	1	135	Rubber foot	4
118	Pin of belt wheel	1	136	Sliding axle briquetting	2



Part no.	Part name	Quantity	Part no.	Part name	Quantity
137	Relay	1	165	Ø 47Spring gasket for hole	1
138	Spring of sliding axle	2	166	Blade guard disc square-head nut	1
139	Towing bracket sliding axle	1	167	Fixed-arm handle bolt	1
140	Quadrate axis	1	168	Finger baffle bolt	2
141	Towing bracket	1	169	Finger baffle nut	2
142	Button of towing bracket	1	170	Bracket knob bolt	1
143	Sharpener mulch	1	171	Bracket knob nut	1
144	Button	2	172	Bracket bottom bolt	1
145	Fine grinding wheel Ø45	1	173	Quadrate axis locking screw	2
146	Pin of burr cleaning wheel	2	174	Slide axle briquetting bolt	4
147	Spring of burr cleaning wheel	2	175	Slide axle bolt	1
148	Crude grinding wheel Ø45	2	176	Ø 12 Under spring gasket	1
149	Sharpener tighten knob	1	177	Meat scraping shim	2
150	Supporting base of outer ring	1	178	Meat scraper bolt	1
151	Ø 4.751Wheel	1	179	Fulcrum bearing shim	2
152	Pin of rubbing stone	1	180	Fulcrum bearing bolt	2
153	Sharpener base of subassembly	1	181	Stainless steel lock	1
154	pin of blade guading ring	2	182	Magnet	1
155	Pin of food tray	1	183	Magnet switch	1
156/156A	Meat blocking board	1	184	Limited block	1
157	Bracket of sliding axle	1	185	Microswitch	1
158	Small belt wheel of motor	1	186	Tray bearing cover A	1
159	Slide transmitting wheel	1	187	Tray bearing cover B	1
160	Towing bracket handle	1	188	Fulcrum bearing shim	1
161	Sliding axle608	1	189	Oil seal	1
162	Belt wheel setting	1	190	Stainless steel bar	1
163	Sharpener setting	1	191	Set screw for tray bracket	1
164	Ø 20Spring gasket for bearing	1			



WARRANTY

Any defect affecting the functionality of the appliance which becomes apparent within one year after purchase will be repaired by free repair or replacement provided the appliance has been used and maintained in accordance with the instructions and has not been abused or misused in any way. Your statutory rights are not affected. If the appliance is claimed under warranty, state where and

when it was purchased and include proof of purchase (e.g. receipt).

In line with our policy of continuous product development we reserve the right to change the product, packaging and documentation specifications without notice.

DISCARDING & ENVIRONMENT

When decommissioning the appliance, the product must not be disposed of with other household waste. Instead, it is your responsibility to dispose of your waste equipment by handing it over to a designated collection point. Failure to follow this rule may be penalized in accordance with applicable regulations on waste disposal. The separate collection and recycling of your waste equipment at the time of disposal will help conserve natural re-

sources and ensure that it is recycled in a manner that protects human health and the environment. For more information about where you can drop off your waste for recycling, please contact your local waste collection company. The manufacturers and importers do not take responsibility for recycling, treatment and ecological disposal, either directly or through a public system.

Sehr geehrte Kundin, sehr geehrter Kunde,

wir danken Ihnen für den Kauf des Gerätes Hendi. Machen Sie sich bitte mit dieser Anleitung noch vor der Inbetriebnahme des Gerätes vertraut, um Schäden durch die unsachgemäße Bedienung zu vermeiden. Den Sicherheitsregeln ist besondere Aufmerksamkeit zu widmen.

Sicherheitsregeln

- Die unsachgemäße Bedienung des Geräts kann zur schweren Beschädigung des Geräts sowie zu Verletzungen führen.
- Das vorliegende Gerät ist ausschließlich für den gewerblichen Gebrauch bestimmt und darf nicht im Haushalt verwendet werden.
- Das Gerät ist ausschließlich zu dem Zweck zu benutzen, zu dem es hergestellt wurde. Der Hersteller haftet nicht für Schäden, die auf unsachgemäße Bedienung des Geräts zurückzuführen sind.
- Den Kontakt des Gerätes und des Steckers mit Wasser oder einer anderen Flüssigkeit vermeiden. Den Stecker unverzüglich aus dem Stecker ziehen und das Gerät von einem anerkannten Fachmann prüfen lassen, wenn das Gerät unbeabsichtigterweise ins Wasser fällt. Bei Nichteinhaltung dieser Sicherheitsvorschriften besteht Lebensgefahr.
- Nie eigenständig das Gehäuse des Gerätes zu öffnen versuchen.
- In das Gehäuse des Gerätes keine Gegenstände einführen.
- Den Stecker nicht mit nassen oder feuchten Händen berühren.
- **Gefahr eines Stromschlags!** Das Gerät darf nicht selbstständig repariert werden. Sämtliche Mängel und Unzulänglichkeiten sind ausschließlich durch qualifiziertes Personal zu beseitigen.
- **Niemals ein beschädigtes Gerät benutzen!** Das beschädigte Gerät vom Netz trennen und sich mit dem Verkäufer in Verbindung setzen.
- **Warnung:** Die Elektroteile des Gerätes dürfen weder in Wasser noch in andere Flüssigkeiten getaucht werden. Ebenso ist das Gerät nicht unter fließendes Wasser zu halten.
- Der Stecker und die Stromversorgungsleitung sind regelmäßig auf Beschädigungen zu prüfen. Der beschädigte Stecker oder Leitung sind an eine Servicestelle oder einer anderen qualifizierten Person zur Reparatur zu übergeben, um eventuellen Gefahren und Verletzungen des Körpers vorzubeugen.
- Man muss sich davon überzeugen, ob die Stromversorgungsleitung weder mit scharfkantigen noch mit heißen Gegenständen in Berührung kommt; halten Sie die Leitung weit entfernt von einer offenen Flamme. Um den Stecker aus der Netzsteckdose zu nehmen, muss man immer am Stecker und nicht an der Leitung ziehen.
- Die Stromversorgungsleitung (oder Verlängerungsleitung) ist vor dem zufälligen Herausziehen aus der Steckdose zu schützen. Die Stromversorgungsleitung muss so geführt werden, dass niemand zufällig darüber stolpern kann.
- Das Gerät muss während seiner Anwendung ständig kontrolliert werden.
- **Warnung!** Wenn der Stecker in der Netzsteckdose ist, muss man das Gerät als an die Stromversorgung angeschlossen betrachten.


DE



- Bevor der Stecker aus der Netzsteckdose genommen wird, ist das Gerät auszuschalten.
- Das Gerät darf beim Tragen nicht an der Leitung gehalten werden.
- Benutzen Sie kein Zubehör, das nicht mit diesem Gerät mitgeliefert wurde.
- Das Gerät muss man ausschließlich an die Steckdose mit solch einer Spannung und Frequenz anschließen, wie auf dem Typenschild angegeben wird.
- Stecken Sie den Stecker in die Steckdose, die an einem leicht und bequem zugänglichen Ort angeordnet ist, und zwar so, dass das Gerät bei einer Störung sofort abgeschaltet werden kann. Um das Gerät vollständig auszuschalten, muss man es von der Stromquelle trennen. Zu diesem Zweck muss man den Stecker, der sich am Ende der vom Gerät getrennten Leitung befindetet, aus der Netzsteckdose ziehen.
- Vor dem Abtrennen des Steckers ist das Gerät auszuschalten!
- Benutzen Sie kein Zubehör, das nicht vom Hersteller empfohlen wird. Die Anwendung vom nicht empfohlenen Zubehör stellt eine Gefahr für den Nutzer dar und kann zur Beschädigung des Gerätes führen. Benutzen Sie ausschließlich Ersatzteile und Zubehör im Original.
- Dieses Gerät eignet sich nicht für den Gebrauch durch Personen (gilt auch für Kinder) mit geringerer Motorik, Sensorik oder geistiger Fähigkeit oder mangelhafter Erfahrung und Wissen.
- Auf keinen Fall darf das Bedienen des Gerätes durch Kinder zugelassen werden.
- Das Gerät mit Stromversorgungsleitung ist außerhalb der Reichweite von Kindern zu lagern.
- Ebenso muss dafür gesorgt werden, dass die Kinder das Gerät nicht zum Spielen benutzen.
- Das Gerät ist immer dann von der Stromversorgung zu trennen, wenn es ohne Aufsicht bleiben soll bzw. auch vor der Montage, Demontage und Reinigung.
- Während der Nutzung darf das Gerät nicht ohne Aufsicht gelassen werden.

Spezielle Sicherheitsvorschriften

- Dieses Gerät ist eine gewerbliche Maschine zur Verarbeitung von Lebensmitteln und nur zum Aufschneiden von Lebensmitteln bestimmt, wie z.B. Fleisch, Käse, Wurst, Brot usw. Die zu schneidenden Lebensmittel müssen aufgetaut, ausgepackt und frei von Knochen sein, bevor sie mit dem Gerät in Scheiben geschnitten werden können. Jede andersartige Verwendung kann zur Beschädigung des Gerätes oder zu Personenschäden führen.
- Dieses Gerät darf nicht zum Schneiden oder Aufschneiden von gefrorenen Lebensmitteln, Fleisch mit Knochen, Fisch oder anderen Non-Food-Produkten usw. verwendet werden.
- Verwenden Sie das Gerät nur für den in diesem Handbuch beschriebenen Zweck.
- Dieses Gerät muss von geschultem Küchenpersonal eines Restaurants, Kantinen oder Barpersonal usw. bedient werden.
- Stellen Sie das Gerät nicht auf einen Heizapparat. (Benzin-, Elektro-, Holzkohlekoher usw.) Halten Sie das Gerät von heißen Oberflächen und offenen Flammen fern. Betreiben Sie das Gerät immer auf einer ebenen, stabilen, sauberen, hitzebeständigen und trockenen Oberfläche.

- Dieses Gerät darf nicht mit einer externen Zeitschaltuhr oder einem separaten Fernbedienungssystem betrieben werden.
-  Es besitzt einen Potenzialausgleichsanschluss, um eine Querverbindung mit anderen Geräten zu ermöglichen.
- Überbrücken Sie niemals die Sicherheitsverriegelungen am Gerät.
- **WARNUNG:** Bedecken Sie keine Belüftungsöffnungen am Gerät.
- **WARNUNG:** Schalten Sie das Gerät **IMMER** aus und trennen Sie es von der Stromversorgung, bevor Sie es reinigen, warten oder abstellen.
- **WARNUNG:** Halten Sie Hände, langes Haar und Kleidung **IMMER** von beweglichen Teilen fern.
- **WARNUNG:** Lassen Sie Vorsicht beim Umgang mit dem Schneidmesser walten. Tragen Sie bei Bedarf Schutzhandschuhe (werden nicht mitgeliefert).
- Sehen Sie während des Gebrauchs einen Abstand von mindestens 15 cm um das Gerät herum vor.
- **Vorsicht!** Verlegen Sie das Netzkabel auf sichere weise, um ein unbeabsichtigtes Ziehen oder Berühren mit der Heizfläche zu verhindern.
- Waschen Sie das Gerät nicht mit Wasser oder unter einem Wasserstrahl ab. ein Waschen mit Wasser kann zu Leckagen führen und die Gefahr eines Stromschlags erhöhen. Es gibt keine Teile, die spülmaschinenfest sind.
- Reinigen oder lagern Sie das Gerät erst dann, wenn es vollständig abgekühlt ist.
- Bewegen Sie das Gerät nicht, während es in Betrieb ist. Ziehen Sie den Netzstecker des Geräts vor dem Bewegen ab und halten Sie es an der Unterseite.
- Beim Bewegen oder Transportieren des Geräts müssen Sie aufgrund des hohen Gewichtes besondere Vorsicht walten lassen. Mit mindestens 2 Personen oder mithilfe eines Stellwagens. Bewegen Sie die Maschine langsam, vorsichtig und neigen Sie sie niemals über 45°.

DE

Verwendungszweck des Gerätes

- Das Gerät ist für den professionellen Einsatz geeignet, deshalb darf es nur durch qualifiziertes Personal bedient werden.
- Das Gerät ist nur zum Schneiden von Lebensmitteln bestimmt, z. G. Fleisch, Käse, Brot usw. Die Verwendung des Gerätes für andere Zwecke kann zu seiner Beschädigung sowie zu Körperverletzungen führen.
- Jede andere Verwendung des Gerätes gilt als nicht bestimmungsgemäß. Der Benutzer ist allein verantwortlich für die unsachgemäße Nutzung des Gerätes.

Montage der Erdung

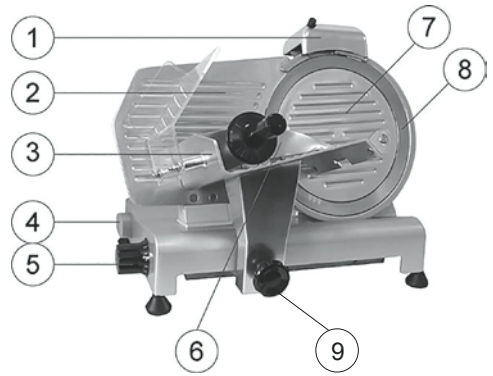
Der Ofen ist ein Gerät der I. Schutzklasse und erfordert eine Erdung. Auf Grund der Verwendung eines Stromableiters, verringert die Erdung das Risiko eines Stromschlags. Das Gerät ist mit einem

Schutzleiter und einem Schutzkontakt für die Erdung ausgerüstet. Stecken Sie den Stecker nicht in die Steckdose, bevor nicht das Gerät entsprechend installiert und geerdet wurde.



Hauptbestandteile des Geräts

- 1 Schleifvorrichtung für Messer
- 2 Anschlag
- 3 Wagen
- 4 Ein-/Ausschalter
[Weiß (I): EIN; Schwarz (O): AUS]
- 5 Dickeneinstellungsknopf
- 6 Fingerschutz
- 7 Messerschutz
- 8 Messer
- 9 Wagenverriegelung
- 10 Messerschutz Schraube
(wird nicht angezeigt)



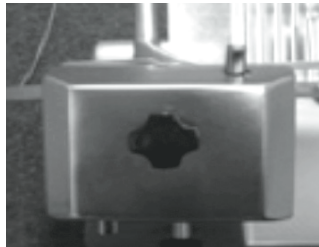
Vorbereitung der erstmaligen Inbetriebnahme

- Prüfen Sie, ob alle Teile geliefert wurden. Bitte setzen Sie sich mit Ihrem Lieferanten in Verbindung, wenn Teile fehlen.
- Die gesamte Verpackung entfernen.
- Überprüfen Sie das Gerät auf Vollständigkeit sowie Transportschäden. Wenden Sie sich im Falle einer unvollständigen Lieferung oder Beschädigung sofort an den Lieferanten. Verwenden Sie das Gerät in einem solchen Fall NICHT. (Siehe ==> Garantie).
- Das Messer reinigen. Vorsicht! Das Messer ist sehr scharf. (Verwenden Sie Handschuhe falls nötig, diese sind im Lieferumfang nicht enthalten)
- Die Maschine sollte für die Ventilation einen Freiraum von mindestens 10 cm haben.
- Die Maschine dermaßen aufstellen, dass der Stecker jederzeit zu erreichen ist.
- Wurde die Schleifvorrichtung nicht montiert, bitte folgendermaßen vorgehen:

DE



1. Draufsicht der Maschine



2. Das Schleifmodul so einbauen, dass das Messer nicht durch die Schleifradchen läuft.

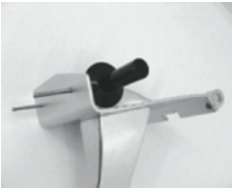


3. Die Schleifvorrichtung der Maschine sichern, indem Sie den Haltering anziehen. Vor der Inbetriebnahme der Maschine die Festigkeit der Schleifvorrichtung prüfen.

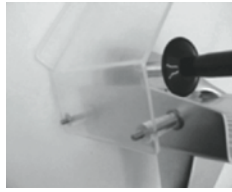
ACHTUNG! Aus Sicherheitsgründen kann das Gerät nur nach Montage der Schleifvorrichtung in Betrieb genommen werden



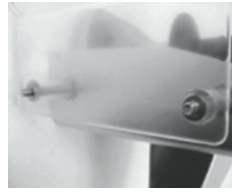
- Den Handschutz einbauen



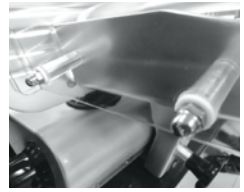
1. Beide Schrauben in den Schlitten stecken.



2. Den Handschutz platzieren.



3. Die beiden Unterlegscheiben platzieren.



4. Die beiden Kapselmutter anziehen.

ACHTUNG: Vom Gebrauch der Maschine ohne den vorgeschriebenen Einbau des Handschutzes wird abgeraten! Dabei handelt es sich um Sicherheitsvorrichtungen, die den Bediener vor möglichen Verletzungen schützen. Bauen Sie diese Vorrichtungen nicht ein, besteht Verletzungsgefahr.

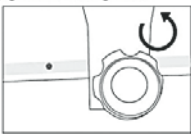
Bedienungsanleitung

- Die Maschine so aufstellen, dass der Benutzer den Ein-/Ausschalter betätigen kann.
- Folgendermaßen vorgehen, wenn die Schleifvorrichtung nicht eingebaut wurde:
 - Die Schleifvorrichtung in die Halterung stecken, damit das Messer nicht durch die Räder läuft.
 - Die Sicherungsschraube der Schleifvorrichtung anziehen.
 - HINWEIS! Die Maschine hat einen Sicherheitschalter und schaltet sich selbsttätig aus, wenn die Schleifvorrichtung entfernt wird.
- Den Stecker in die Steckdose stecken.
- Die erwünschte Dicke einstellen, indem Sie den Knopf mit der Skala drehen.
- Schalten Sie das Gerät ein, indem Sie die Taste „WEISS (I)“ des EIN-/AUS-Schalters drücken.
- Das Schneidgut auf den Wagen legen. Das Produkt mit der dazu dienenden Klemme einklemmen. Das Produkt sollte sich am Anschlag befinden.
- Sobald das Produkt geschnitten wurde, schalten Sie das Gerät aus, indem Sie die „SCHWARZ (O)“-Taste des EIN-/AUS-Schalters drücken.
- Den Knopf der Dickeneinstellung wieder auf „0“ schalten.

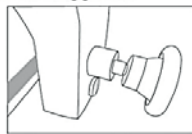
DE

Sichern

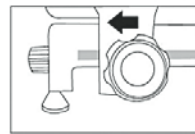
- ① Lösen Sie die Handschraube durch Drehen entgegen dem Uhrzeigersinn



- ② Drehen Sie die Handschraube solange bis diese vollständig gelöst ist

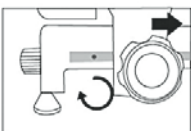


- ③ Schlitten nach links bewegen, bis der Schlitten spürbar einrastet. Die Maschine ist dann gesichert.



Entsichern

- ① Zum Entriegeln drehen Sie die Handschraube im Uhrzeigersinn, bis sich die Arretierung spürbar löst. Die Maschine ist dann wieder entsichert



Schleifvorgang

Durchzuführen, wenn das Messer stumpf ist.

Wir machen Sie darauf aufmerksam, dass das Messer besonders abnutzungsfest ist und man es daher bei regelmäßigem, sachgemäßem Gebrauch nur einmal im Jahr zu schleifen braucht.

- Den Stecker abziehen.
- Den Knopf der Dickeneinstellung auf „0“ schalten.
- Das Messer reinigen.
- Den Sicherungsknopf der Schleifvorrichtung lösen.
- Die Schleifvorrichtung hochziehen und 180° wenden.
- Beide Seiten der Klinge sollte ein Schleifstein haben.
- Die Schleifvorrichtung herabsenken bis sie einrastet.
- Die Schleifvorrichtung befestigen, indem Sie den Sicherungsknopf anziehen.
- Die Maschine einschalten. Das Messer dreht sich nun.
- Mit dem Knopf den schrägen Schleifstein zum Messer drücken und den Schleifstein zwei Minuten lang an das Messer halten. Der Schleifstein sollte sich nun mit dem Messer mitbewegen.

- Mit dem Knopf den senkrechten Schleifstein kurz an das Messer halten, um die Grate, die durch den Schleifvorgang entstehen, zu beseitigen. Der Schleifstein sollte sich nun mit dem Messer mitbewegen.
- Die Maschine ausschalten und den Stecker abziehen.
- Den Sicherungsknopf der Schleifvorrichtung lösen und die Schleifsteine mit Alkohol reinigen.
- Die Schleifvorrichtung wieder in ihre ursprüngliche Lage versetzen und den Sicherungsknopf anziehen. Das Messer sollte sich nicht zwischen den Schleifsteinen bewegen.
- Ein paar Minuten in warmes, mildes Seifenwasser eintauchen. Spülen und gründlich trocknen.
- Stecken Sie den Stecker in die Steckdose. Gehen Sie mit großer Sorgfalt vor.
- Die Maschine ist nun wieder betriebsbereit.

Reinigung und Wartung

- **Beachtung:** Ziehen Sie den Netzstecker des Geräts immer aus der Steckdose und lassen Sie es vor der Reinigung und Lagerung vollständig abkühlen. Stellen Sie den Scheibendicke-Knopf auf „0“.
- Reinigen Sie das Gerät nach jeder Verwendung.
- Achtung: Tauchen Sie das Gerät nicht in Wasser oder andere Flüssigkeiten ein!
- Das Gehäuse mit einem feuchten Tuch (Wasser mit einem milden Reinigungsmittel) reinigen.

- Keine aggressiven Reinigungs- oder Scheuermittel benutzen. Keine scharfen, spitzen Gegenstände benutzen. Kein Benzin und keine Lösungsmittel benutzen! Das Gerät mit einem feuchten Tuch und eventuell Spülmittel reinigen. Keine Scheuermittel benutzen.
- Ein paar Minuten in warmes, mildes Seifenwasser eintauchen. Spülen und gründlich trocknen.
- Gehen Sie mit großer Sorgfalt vor.
- Bewegt sich der Wagen nur noch ruckartig, die Maschine seitlich ablegen. Die Gleitstange gründlich reinigen und mit Vaseline schmieren.

Lagerung

- Stellen Sie vor einer Lagerung immer sicher, dass der Netzstecker des Geräts bereits von der Steckdose getrennt wurde und das Gerät vollständig abgekühlt ist.
- Lagern Sie das Gerät an einem kühlen, sauberen und trockenen Ort.

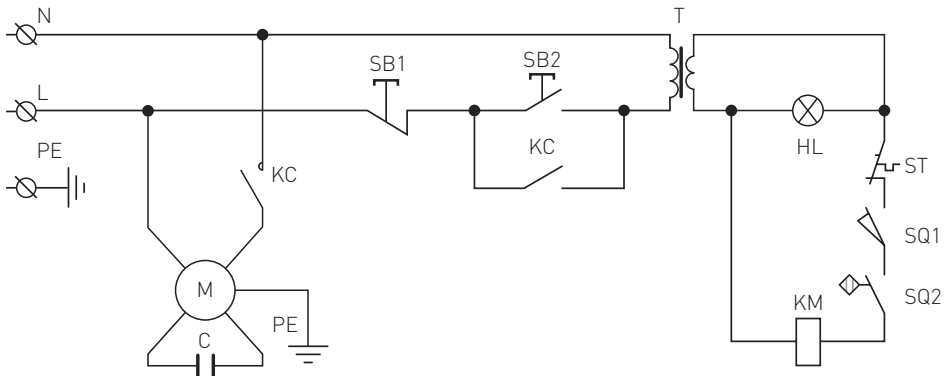
Fehlerbehebung

Sollte das Gerät nicht ordnungsgemäß funktionieren, überprüfen Sie bitte die nachfolgende Tabelle für eine Lösung. Sollten Sie das Problem noch immer nicht lösen können, wenden Sie sich bitte an den Lieferanten/Diensteanbieter.

Problem	Mögliche Ursache	Lösung
Gerät schneidet nicht gleichmäßig	Messer stumpf	Messer schleifen
	Maschine schmutzig	Maschine reinigen
Schneidevorgang unterbrochen	Motor zu heiß	Die Maschine lange abkühlen lassen. Temperatursicherung des Motors schaltet sich selbsttätig wieder ein.
Wagen holpert	Gleitstange schmutzig	Die Gleitstange reinigen und mit Vaseline schmieren
	Speisereste kleben an der Klinge	Schalten Sie das Gerät aus und ziehen Sie den Netzstecker ab. Warten Sie, bis die Klinge zu einem völligen Stillstand gekommen ist. Entfernen Sie jegliche Hemmnisse. Wischen Sie die Klinge mit einem feuchten Tuch ab.
Klinge stoppt, wenn Produkt wird geschnitten	Keilriemen abgenutzt oder verschmutzt	Kontaktieren Sie den Lieferanten.

Schaltplan für 210000, 210017, 210031, 210048

Wechselspannungseingang: AC220-240V 50Hz

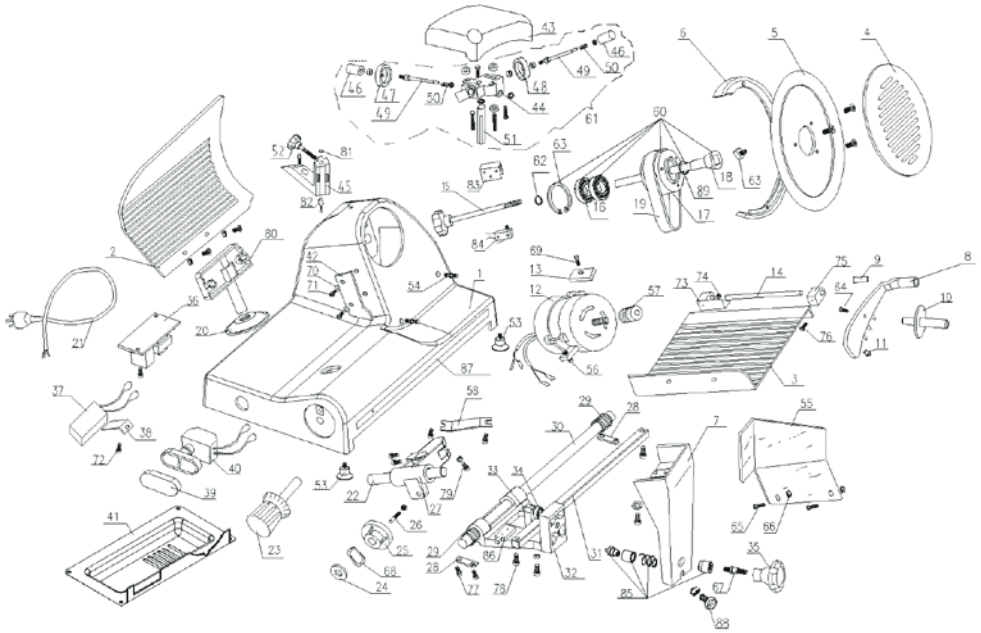


M : Motor
T : Transformator
C : Kondensator
PE : Schutzerde (Masse)
L : Stromführend
N : Neutralleiter

SB1, SB2 : Schalter
KC : Relais
HL : Anzeigelampe
ST : Temperaturbegrenzer
SQ1, SQ2 : Mikroschalter



Teilleiste (Artikel-Nr. : 210000, 210031, 210048)



DE

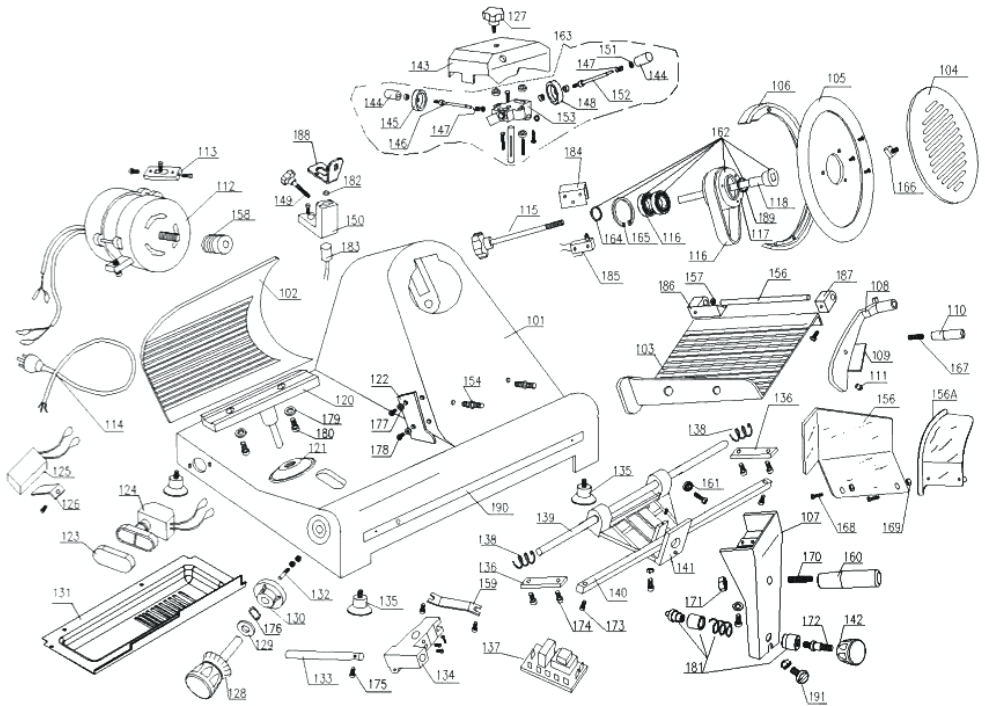
Teile-Nr.	Teilname	Menge	Teile-Nr.	Teilname	Menge
1	Gehäuse	1	20	Folienmulch	1
2	Aktives Schalbrett	1	21	Stromleitung	1
3	Speiseausgabe	1	22	Gleitachse	1
4	Klingenschutzhaube	1	23	Skalierknopf	1
5	Klinge	1	24	Federdichtung	1
6	Klingenschutzring	1	25	Nocken	1
7	Schalhalterung	1	26	Nockenschmiegsarmatur	1
8	Speisen und Starrarm	1	27	Schieber	1
9	Starrarmbuchse	1	28	Brikkettieren-Gleitachse	2
10	Starrarmgriff	1	29	Feder der Zugbremsgleitachse	2
11	Kunststoffgranulate	1	30	Anhängerzugvorrichtungssachse	1
12	Motor	1	31	Quadratische Achse	1
13	Motorbrikkettierung	1	32	Zugvorrichtung	1
14	Starrarm-Pin Ø12 x 185	1	33	M8x35 Sechskantschraube	1
15	Klingenschutzbolzen	1	34	Kugellager 607	1
16	Kugellager 6202	2	35	Abdeckknopf der Zugvorrichtung	1
17	Klingenriemenrad Ø66	1	36	Relais	1
18	Riemenradstift	1	37	Kondensator	1
19	Riemen SV.330	2	38	Kondensatorhalterung	1



Teile-Nr.	Teilename	Menge	Teile-Nr.	Teilename	Menge
39	Mulchtaste	1	65	Schraube für Starrarmgriff	1
40	Tastenschalter	1	66	Schraube für Finger-Trennwand	2
41	Hauptplatine	1	67	Mutter für Finger-Trennwand	2
42	Fleischschaber	1	68	Schraube für Halterungsknopf	1
43	Mulchschärfer	1	69	Undee-Federdichtung	1
44	Schärfersockel der Unterbaugruppe	1	70	Motorgeschützte Schraube	1
45	Schärfersockel der Baugruppe	1	71	Ausgleichsscheibe für Fleischschaber	2
46	Schärfertaste	2	72	Schraube für Fleischschaber	2
47	Feinschleifrad Ø45	1	73	Klemmschraube für die Befestigung des Kondensators	1
48	Rohschleifrad Ø45	1	74	Schalenlagerabdeckung A	1
49	Reibesteinstift	2	75	Fleischbrettkorb	1
50	Feder	2	76	Schalenlagerabdeckung B	1
51	Schärferhalterungsstift	1	77	Kreuzschlitzkopf M6 × 12	2
52	Anziehknopf für Schärfer	1	78	Mutter für Brikettieren-Gleitachse	4
53	Aktives Schalbrettdom	1	79	Sperrschraube für quadratische Achse	2
54	Gummifuß	4	80	Anpassschraube für Schieber	1
55	Stift für Klingenschutzring	2	81	Magnet	1
56	Blockierbrett für Fleisch	1	82	Magnetschalter	1
57	Gleitachsenhalterung	2	83	Aluminiumblock	1
58	Kleines Riemenrad für Motor	1	84	Mikroschalter	1
59	Schieberschlitten	1	85	Edelstahlschloss	1
60	Riemenradeinstellung	1	86	Begrenzungsblock	1
61	Schärfereinstellung	1	87	Edelstahlleiste	1
62	Ø15 Federdichtung für Lager	1	88	Schalenhalterung-Einstellschraube	1
63	Ø15 Federdichtung für Lager	1	89	Öldichtung	1
64	Rechteckmutter für Klingenschutzscheibe	1			



Teilliste (Artikel-Nr. : 210017)



DE

Teile-Nr.	Teilname	Menge	Teile-Nr.	Teilname	Menge
101	Gehäuse	1	119	Riemen SV.400	2
102	Aktives Schalbrett	1	120	Grundträger	1
103	Speiseausgabe	1	121	Kabelschlauch	1
104	Klingenscheibenschutz	1	122	Fleischabstreifer	1
105	Klinge	1	123	Mulchtaste	1
106	Klingenschutzring	1	124	Tastenschalter	1
107	Schalenhalterung	1	125	Kondensator	1
108	n und fester Arm	1	126	Kondensatorhalterung	1
109	Starrarmbuchse	1	127	Mitarbeiterorientierte Schraube	1
110	Griff	1	128	Skalierknopf	1
111	Kunststoffgranulate	1	129	Federdichtung	1
112	Motor	1	130	Cam300	1
113	Motorbrikettierung	1	131	Hauptplatine	1
114	Stromleitung	1	132	Nockenschmiegungsstift	1
115	Klingenschutzbolzen	1	133	Gleitachse	1
116	Kugellager 6204	2	134	Schieber	1
117	Riemenrad	1	135	Gummifuß	4
118	Riemenradstift	1	136	Brikettieren-Gleitachse	2



Teile-Nr.	Teilename	Menge	Teile-Nr.	Teilename	Menge
137	Relay	1	165	Ø 47Spring gasket for hole	1
138	Spring of sliding axle	2	166	Blade guard disc square-head nut	1
139	Towing bracket sliding axle	1	167	Fixed-arm handle bolt	1
140	Quadrate axis	1	168	Finger baffle bolt	2
141	Towing bracket	1	169	Finger baffle nut	2
142	Button of towing bracket	1	170	Bracket knob bolt	1
143	Sharpener mulch	1	171	Bracket knob nut	1
144	Button	2	172	Bracket bottom bolt	1
145	Fine grinding wheel Ø45	1	173	Quadrate axis locking screw	2
146	Pin of burr cleaning wheel	2	174	Slide axle briquetting bolt	4
147	Spring of burr cleaning wheel	2	175	Slide axle bolt	1
148	Crude grinding wheel Ø45	2	176	Ø 12 Under spring gasket	1
149	Sharpener tighten knob	1	177	Meat scraping shim	2
150	Supporting base of outer ring	1	178	Meat scraper bolt	1
151	Ø 4.751Wheel	1	179	Fulcrum bearing shim	2
152	Pin of rubbing stone	1	180	Fulcrum bearing bolt	2
153	Sharpener base of subassembly	1	181	Stainless steel lock	1
154	pin of blade guading ring	2	182	Magnet	1
155	Pin of food tray	1	183	Magnet switch	1
156/156A	Meat blocking board	1	184	Limited block	1
157	Bracket of sliding axle	1	185	Microswitch	1
158	Small belt wheel of motor	1	186	Tray bearing cover A	1
159	Slide transmitting wheel	1	187	Tray bearing cover B	1
160	Towing bracket handle	1	188	Fulcrum bearing shim	1
161	Sliding axle608	1	189	Oil seal	1
162	Belt wheel setting	1	190	Stainless steel bar	1
163	Sharpener setting	1	191	Set screw for tray bracket	1
164	Ø 20Spring gasket for bearing	1			

Garantie

Alle innerhalb von einem Jahr nach dem Kaufdatum festgestellten Defekte oder Mängel, die die Funktionalität des Gerätes beeinträchtigen, werden auf dem Wege der unentgeltlichen Reparatur bzw. des Austausches unter der Voraussetzung beseitigt, dass das Gerät in einer der Bedienungsanleitung gemäßen Art und Weise betrieben und gewartet wird und weder vorsätzlich vernichtet noch nicht bestimmungsgemäß genutzt wurde. Ihre Rechte aus den entsprechenden Gesetzen

bleiben davon unberührt. Eine in der Garantiefrist einzureichende Beanstandung hat die Angabe des Kaufortes und Kaufdatums und in der Anlage einen Kaufbeleg (z.B. Kassenzettel) zu enthalten.

Gemäß unserer Politik der ständigen Weiterentwicklung unserer Produkte behalten wir uns vor, Änderungen am Produkt, an seiner Verpackung und an den dokumentierten technischen Daten ohne vorherige Ankündigung vorzunehmen.



Entsorgung und Umweltschutz

Wird das Gerät außer Betrieb genommen, darf es nicht über den Hausmüll entsorgt werden. Der Benutzer ist für die Übergabe des Gerätes an eine geeignete Sammelstelle für Altgeräte verantwortlich. Die Nichteinhaltung dieser Regel kann gemäß den geltenden Vorschriften über die Abfallentsorgung bestraft werden. Die getrennte Sammlung und das Recycling der Altgeräte trägt zur Schonung der natürlichen Ressourcen bei und sorgt

für eine umwelt- und gesundheitsschonende Verwertungsweise. Weitere Informationen darüber, wo Sie Ihre Altgeräte entsorgen können, erhalten Sie bei Ihrem örtlichen Entsorgungsunternehmen. Der Hersteller und der Importeur übernehmen keine Verantwortung für das Recycling sowie die umweltfreundliche Verwertung von Abfällen, weder direkt noch über ein öffentliches System.

Geachte klant,

Hartelijk dank voor de aankoop van dit Hendi apparaat. Leest u deze gebruiksaanwijzing zorgvuldig voordat u het apparaat gebruikt, dit om schade door verkeerd gebruik te voorkomen. Lees vooral de veiligheidsinstructies aandachtig door.

Veiligheidsinstructies

- Onjuiste bediening en verkeerd gebruik van het apparaat kan ernstige schade aan het apparaat en verwonding van personen tot gevolg hebben.
- Dit apparaat mag alleen worden gebruikt voor commerciële doeleinden en mag niet worden gebruikt voor huishoudelijk gebruik.
- Het apparaat mag alleen worden gebruikt voor het doel waarvoor het werd ontworpen. De fabrikant aanvaardt geen enkele aansprakelijkheid voor schade als gevolg van onjuiste bediening en verkeerd gebruik.
- Zorg dat het apparaat en de stekker niet met water of een andere vloeistof in aanraking komen. Mocht het apparaat onverhoopt in het water vallen, trek dan onmiddellijk de stekker uit het stopcontact en laat het apparaat controleren door een erkend vakman. Niet-naleving hiervan kan levensgevaar opleveren.
- Probeer nooit zelf de behuizing van het apparaat te openen.
- Steek geen voorwerpen in de behuizing van het apparaat.
- Raak de stekker niet met natte of vochtige handen aan.
- **Gevaar van elektrische schokken!** Probeer het apparaat niet zelf te repareren. In het geval van storingen, laat reparaties alleen uitvoeren door gekwalificeerd personeel.
- **Gebruik nooit een beschadigd apparaat!** Als het apparaat is beschadigd, haal de stekker dan uit het stopcontact en neem contact op met de winkel.
- **Waarschuwing!** Dompel de elektrische onderdelen van het apparaat niet onder in water of andere vloeistoffen. Houd het apparaat nooit onder stromend water.
- Controleer de stekker en het netsnoer regelmatig op schade. Als de stekker of het netsnoer is beschadigd, moet het worden vervangen door de technische dienst of een soortgelijk gekwalificeerd persoon om gevaar of letsel te voorkomen.
- Zorg ervoor dat het netsnoer niet in contact komt met scherpe of hete voorwerpen en houd het uit de buurt van open vuur. Als u de stekker uit het stopcontact wilt halen, trek dan altijd aan de stekker en niet aan het netsnoer.
- Zorg ervoor dat niemand per ongeluk aan het netsnoer (of verlengsnoer) kan trekken of kan struikelen over het netsnoer.
- Houd het apparaat in de gaten tijdens gebruik.
- **Waarschuwing!** Zolang de stekker in het stopcontact zit, is het apparaat aangesloten op de voedingsbron.
- Schakel het apparaat uit voordat u de stekker uit het stopcontact trekt.
- Draag het apparaat nooit aan het netsnoer.
- Gebruik geen extra hulpmiddelen die niet worden meegeleverd met het apparaat.
- Sluit het apparaat alleen aan op een stopcontact met de spanning en frequentie die is vermeld op het typeplaatje.

NL



- Sluit de stekker aan op een stopcontact dat eenvoudig bereikt kan worden, zodat de stekker in geval van nood onmiddellijk uit het stopcontact kan worden getrokken. Trek de stekker volledig uit het stopcontact om het apparaat volledig uit te schakelen. Gebruik de stekker om het apparaat los te koppelen van het lichtnet.
- Schakel het apparaat altijd uit voordat u de stekker uit het stopcontact trekt.
- Gebruik nooit accessoires die niet worden aanbevolen door de fabrikant. Zij kunnen mogelijk een veiligheidsrisico vormen voor de gebruiker en kunnen het apparaat mogelijk beschadigen. Gebruik alleen originele onderdelen en accessoires.
- Dit apparaat is niet geschikt voor gebruik door personen (inclusief kinderen) met een verminderd fysiek, sensorisch of geestelijk vermogen, of gebrek aan ervaring en kennis.
- Dit apparaat mag onder geen enkele omstandigheid worden gebruikt door kinderen.
- Houd het apparaat en het netsnoer buiten bereik van kinderen.
- Kinderen mogen niet met het apparaat spelen.
- Koppel het apparaat altijd los van het lichtnet als het onbeheerd wordt achtergelaten en voordat het apparaat wordt gemonteerd, gedemonteerd of gereinigd.
- Laat het apparaat nooit onbeheerd achter tijdens gebruik.

Speciale veiligheidsvoorschriften

- Dit apparaat is een commerciële voedselverwerkingsmachine en is uitsluitend bedoeld voor het snijden van voedingsmiddelen, bijv. vlees, kaas, worst, brood, etc. Het te snijden voedsel moet ontdooid, uit de verpakking gehaald en vrij van botten zijn voordat het kan worden gesneden met het apparaat. Elk ander gebruik kan leiden tot schade of lichamelijke letsel.
- Dit apparaat mag niet worden gebruikt voor het snijden of in plakken snijden van bevroren voedsel, vlees met been, vis of andere niet-voedselproducten, etc.
- Gebruik het apparaat alleen zoals beschreven in deze handleiding.
- Dit apparaat moet worden gebruikt door getraind personeel in keukens van restaurants, kantines of barpersoneel, etc.
- Plaats het apparaat niet op een verwarmingsvoorwerp (kooktoestel op benzine, elektriciteit, houtskool, etc.). Houd het apparaat uit de buurt van warme oppervlakken en open vuur. Gebruik het apparaat altijd op een vlakke, stabiele, schone, hittebestendige en droge ondergrond.
- Dit apparaat is niet bedoeld om gebruikt te worden in combinatie met een externe timer of apart systeem voor gebruik op afstand.
-  Het apparaat is voorzien van een potentiaalvereffeningsaansluiting voor 'cross bonding' met andere apparatuur.
- Omzeil nooit de veiligheidsmechanismen op het apparaat.
- **WAARSCHUWING:** Houd alle ventilatieopeningen in het apparaat vrij.
- **WAARSCHUWING:** Schakel het apparaat **ALTIJD** uit en trek de stekker uit het stopcontact alvorens het apparaat te reinigen, onderhouden of op te bergen.
- **WAARSCHUWING!** Houd uw handen, lange haren en kleding **ALTIJD** uit de buurt van de bewegende onderdelen.

- **WAARSCHUWING:** Wees uiterst voorzichtig bij de omgang met het mes. Draag beschermende handschoenen (niet meegeleverd) indien nodig.
- Laat tijdens gebruik minimaal 15 cm ruimte vrij rond het apparaat voor voldoende ventilatie.
- **Let op!** Plaats het netsnoer indien nodig op een veilige manier om te voorkomen dat het in contact kon komen met het verwarmingsoppervlak en dat er per ongeluk aan het netsnoer kan worden getrokken.
- Was het apparaat niet met water of een waterstraal. Wassen met water kan lekkage veroorzaken en het risico op elektrische schokken verhogen. Geen van de onderdelen zijn vaatwasmachinebestendig.
- Niet reinigen of opbergen tenzij het apparaat volledig is afgekoeld.
- Verplaats het apparaat niet tijdens gebruik. Trek de stekker uit het stopcontact en houd het apparaat vast aan de onderkant als u het apparaat verplaatst.
- Er is speciale aandacht vereist als u het apparaat wilt verplaatsen of transporteren, omdat het apparaat zeer zwaar is. Verplaats met minimaal 2 personen of gebruik een karretje om te helpen bij het verplaatsen. Verplaats het apparaat langzaam, voorzichtig en nooit gekanteld onder een hoek groter dan 45°.

Beoogd gebruik

- Het apparaat is bestemd voor professioneel gebruik en mag alleen worden bediend door gekwalificeerd personeel.
- Het apparaat is alleen bedoeld voor het snijden van levensmiddelen, bijv. vlees, kaas, brood, etc. Elk ander gebruik kan leiden tot schade aan het apparaat of lichamelijk letsel.
- Gebruik van het apparaat voor andere doeleinden wordt beschouwd als verkeerd gebruik van het apparaat. De gebruiker is volledig aansprakelijk voor alle risico's die voortvloeien uit verkeerd gebruik van het apparaat.

Installatie met aarding

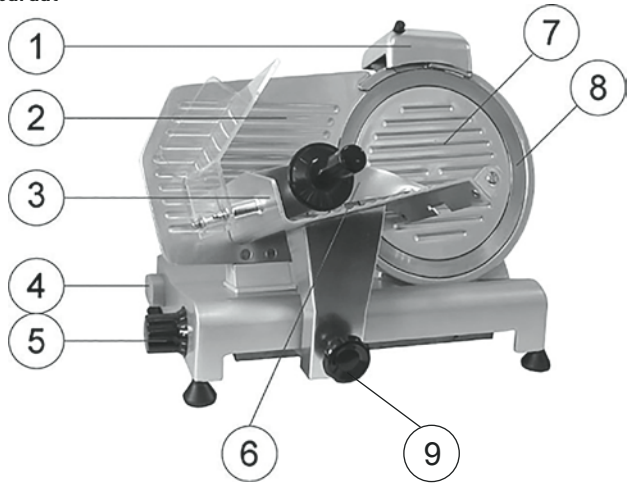
Dit apparaat is geclassificeerd als beschermingsklasse I en moet worden aangesloten op een aansluiting met aarde. Aarding verlaagt de kans op elektrische schokken doordat elektrische stroom via een ontsnapingsdraad kan weglopen. Dit ap-

paraat is uitgerust met een snoer met een aarde draad en een geaarde stekker. De stekker moet in een stopcontact worden gestoken dat juist is geïnstalleerd en geaard.



Belangrijkste onderdelen van het apparaat

- 1 Slijper voor mes
- 2 Aanslag
- 3 Slede
- 4 Aan/uit schakelaar
[Wit (I): AAN; Zwart (O): UIT]
- 5 Knop voor instellen slijddiktel
- 6 Producthouderarm
- 7 Mesafscherming
- 8 Mes
- 9 Sledevergrendeling
- 10 Bout van mesafscherming
(niet afgebeeld)

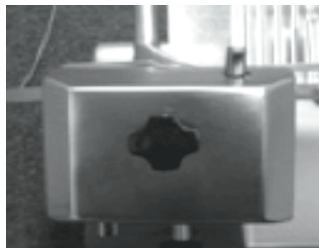


Vorbereiding voor eerste gebruikname

- Controleer of alle onderdelen inbegrepen zijn. Indien u onderdelen mist, neem contact op met uw leverancier.
- Verwijder al het verpakkingsmateriaal.
- Controleer het apparaat op volledigheid en eventuele transportschade. Neem in geval van schade of een onvolledige levering onmiddellijk contact op met de leverancier. Gebruik het apparaat NIET. (Zie ==> Garantie).
- Reinig het mes. Wees zeer voorzichtig, mes is zeer scherp. (Gebruik handschoenen indien nodig, niet meegeleverd)
- Zorg ervoor dat er rondom de machine minstens 10cm vrij blijft, Dit in verband met de ventilatie van de machine
- Plaats de machine zo dat de stekker te allen tijde bereikbaar is.
- Wanneer de slijpvoorziening niet gemonteerd is, ga dan als volgt te werk:



1. Bovenaanzicht van de machine



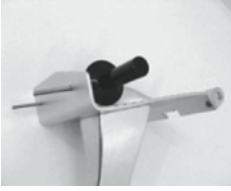
2. Plaats de slijpmodule zo dat het mes niet tussen de slijpwieltjes door loopt



3. Borg de slijpvoorziening aan de machine door de borging aan te draaien. Controleer of de slijpvoorziening vast zit voordat u de machine in gebruik neemt.

LET OP! De slijpvoorziening is voorzien van een veiligheidsschakelaar. Indien de slijpvoorziening niet is gemonteerd, kunt u de machine niet inschakelen

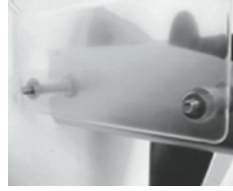
- Monteer de handafscherm



1. Plaats de beide schroeven in de slede



2. Plaats de handbeschermer



3. Plaats de twee sluitringen



4. Draai de twee dopmoeren aan

LET OP: het gebruiken van de machine zonder de handbeschermer wordt afgeraden! Dit zijn veiligheidsvoorzieningen die mogelijk verwondingsgevaar uitsluiten. Indien u deze voorzieningen niet monteert, bestaat het risico op verwondingen.

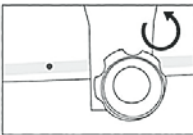
Gebruiksaanwijzing

- Plaats de machine dusdanig, dat de aan/uit schakelaar naar de gebruiker toegekeerd is.
- Wanneer de slijpvoorziening niet gemonteerd is, ga dan als volgt te werk:
 - Plaats de slijpvoorziening in zijn steun zodat het mes niet tussen wieltjes doorloopt.
 - Draai de veiligheidsschroef op de slijpvoorziening aan.
 - LET OP! De slijpvoorziening is voorzien van een veiligheidsschakelaar. De machine kan niet worden ingeschakeld indien de slijpvoorziening niet is gemonteerd.
- Steek de stekker in de wandcontactdoos.
- Stel de gewenste dikte in door aan de knop met de schaalverdeling te draaien.
- Schakel het apparaat in door op de "WITTE (I)" knop van de aan/uit schakelaar te drukken.
- Plaats het te snijden product op de wagen. Klem het product met de hiervoor aanwezige klem. Zorg ervoor dat het product tegen de aanslag aan ligt.
- Schakel het apparaat, zodra het product is gesneden, uit door op de "ZWARTE (0)" knop van de aan/uit schakelaar te drukken.
- Draai de knop voor de instelling van de dikte terug naar "0".

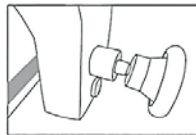
NL

Hoe de snijmachine te vergrendelen

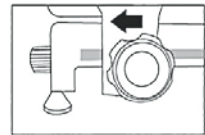
① Draai de knop tegen de klok in



② Blijf draaien totdat de knop volledig los is

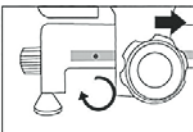


③ Schuif de stede volledig naar links
De snijmachine wordt automatisch vergrendeld



Hoe de snijmachine te ontgrendelen

① Om de snijmachine te ontgrendelen, draai de knop met de klok mee, totdat deze vast zit.



Slijpen van het mes

Uitvoeren wanneer het mes bot geworden is. Wij wijzen u erop dat het mes zeer slijtvast is en dus slechts een keer per jaar geslepen hoeft te worden bij regelmatig en juist gebruik.

- Zet de machine uit (de machine is voorzien van een veiligheidsschakelaar en schakelt vanzelf uit indien de slijpvoorziening wordt verwijderd)
- Zet de knop van de dikte-instelling op "0"
- Reinig het mes.
- Draai de borgknop van de slijper los.
- Trek de slijper omhoog en draai hem 180°.
- Aan iedere zijde van het mes moet één steentje zijn.
- Laat de slijper zakken totdat deze weer in de vergrendeling valt.
- Zet de slijper vast door de borgknop weer aan te draaien.
- Zet de machine aan. Het mes begint nu te draaien.

- Druk met de knop de schuinstaande slijpsteen tegen het mes en houd de slijpsteen 2 minuten tegen het mes aan. De slijpsteen moet nu met het mes mee gaan draaien.
- Druk met de knop de rechtopstaande slijpsteen korte tijd tegen het mes om de bramen van het slijpen van het mes te verwijderen. De slijpsteen moet nu met het mes mee gaan draaien.
- Zet de machine uit en trek de stekker uit het wandcontact.
- Draai de borgknop van de slijper los en reinig de slijpstenen met alcohol.
- Zet de slijper weer in de oorspronkelijke wijze op de machine en draai de borgknop aan. Het mes moet niet tussen de slijpstenen doorlopen.
- Dompel voor enkele minuten onder in een warm, mild zeepsopje. Spoel af en droog grondig.
- Druk de stekker in het stopcontact. Wees zeer voorzichtig.
- De machine is nu weer klaar voor gebruik.

Reiniging en onderhoud

- **Let op:** Trek de stekker van het apparaat altijd uit het stopcontact, draai de knop voor de instelling van de dikte naar "0" en laat het apparaat volledig afkoelen alvorens het apparaat te reinigen en op te bergen.
- Reinig het apparaat na elk gebruik.
- Let op: Nooit het apparaat in water of een andere vloeistof onderdompelen!
- De buitenkant maakt u schoon met een vochtig doekje (water met mild reinigingsmiddel).
- Gebruik nooit agressieve schoonmaakmiddelen of schuurmiddelen. Geen scherpe en puntige

voorwerpen gebruiken. Geen benzine of oplosmiddelen gebruiken! Schoonmaken met een vochtige doek en eventueel afwasmiddel, geen schurende middelen gebruiken.

- Dompel voor enkele minuten onder in een warm, mild zeepsopje. Spoel af en droog grondig.
- Wees zeer voorzichtig.
- Wanneer de wagen niet meer soepel beweegt, leg de machine dan op de zijkant. Maak de glijstang zorgvuldig schoon en smeer deze in met vaseline.

Opslag

- Zorg er vóór het opbergen van het apparaat altijd voor dat de stekker van het apparaat uit het stopcontact is getrokken en dat het apparaat volledig is afgekoeld.
- Bewaar het apparaat op een koele, schone en droge plek.

Probleemoplossing

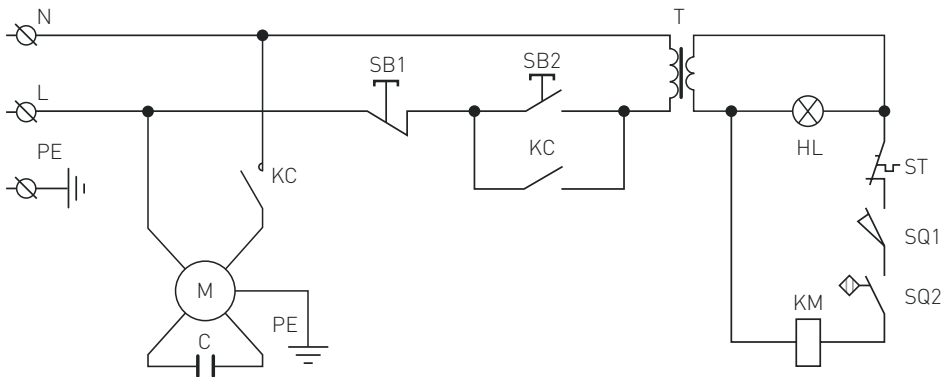
Als het apparaat niet goed werkt, controleer dan onderstaande tabel voor de oplossing. Als u het probleem nog steeds niet kunt oplossen, neem dan contact op met de leverancier/dienstverlener.

Probleem	Mogelijke oorzaak	Oplossing
Apparaat snijdt niet gelijkmatig	Mes bot	Slijp het mes
	Machine is vuil	Reinig de machine
Machine stopt met snijden	Motor te warm	Laat de machine geruime tijd afkoelen. De thermische beveiliging van de motor schakelt vanzelf weer in.
Wagen glijdt niet soepel	Glijstang vuil	Reinig de glijstang en smeer met vaseline
	Er plakt wat voedsel aan het mes	Schakel het apparaat uit & trek de stekker uit het stopcontact. Wacht tot het mes volledig tot stilstand is gekomen. Verwijder eventuele verstoppingen. Vees het mes af met een vochtige doek.
Mes stopt bij belasting	V-riem versleten of vuil	Neem contact op met de leverancier

Schakelschema voor 210000, 210017, 210031, 210048

Netspanningsingang: AC220-240V 50Hz

NL



M : Motor

T : Transformator

C : Condensator

PE : Beschermende aarding (aarding)

L : Fase

N : Neutraal

SB1, SB2 : Schakelaar

KC : Relais

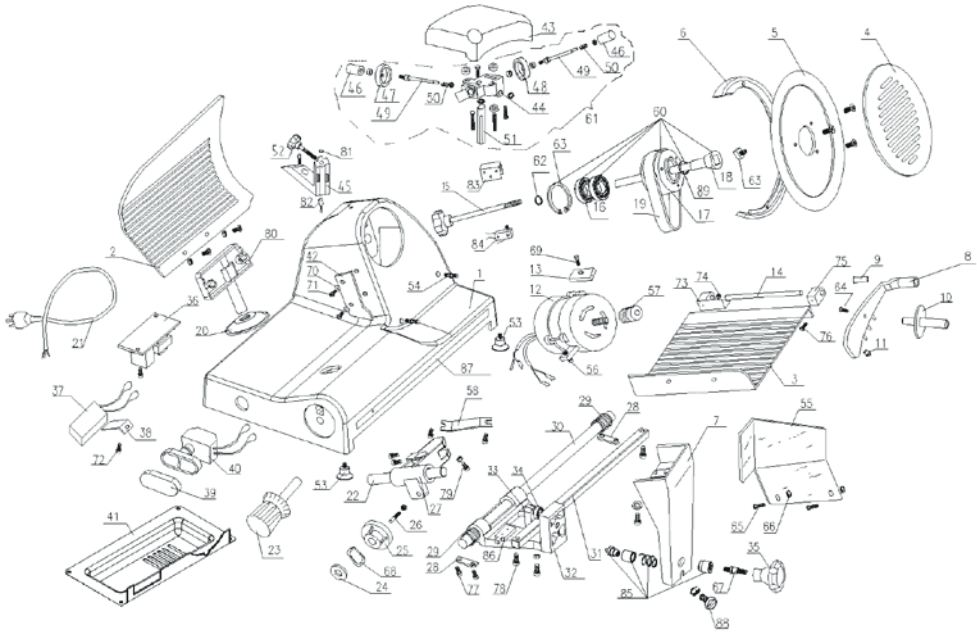
HL : Indicatielampje

ST : Thermische beveiliging

SQ1, SQ2 : Microschakelaar



Onderdelenlijst (Artikelnr.: 210000, 210031, 210048)

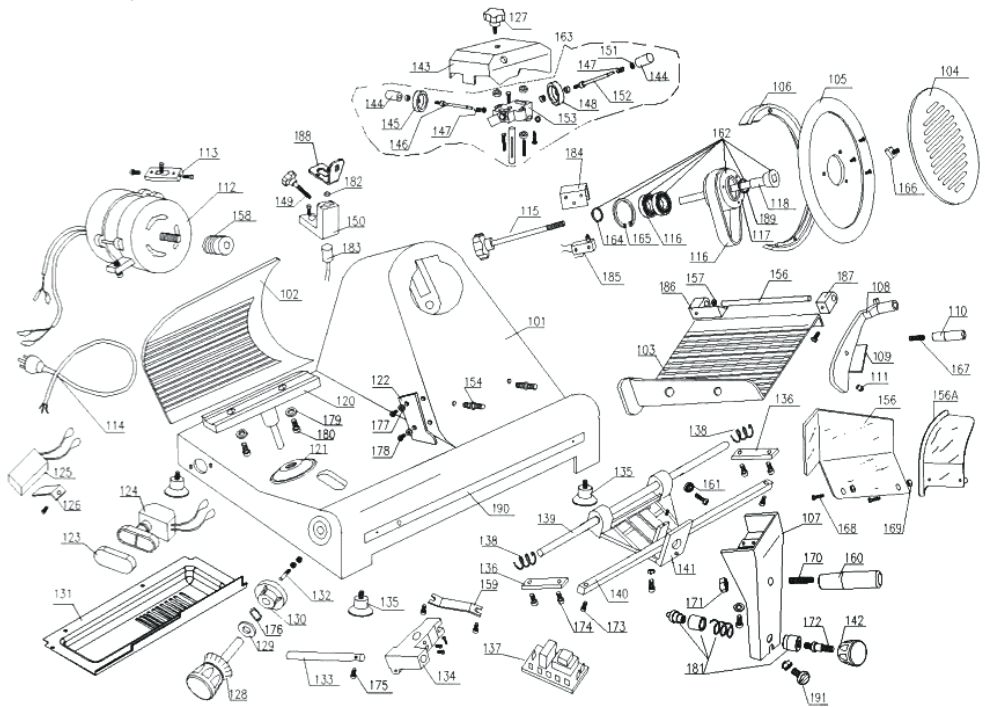


Nr. onderdeel	Naam onderdeel	Aantal	Nr. onderdeel	Naam onderdeel	Aantal
1	Behuizing	1	19	RiemSV.330	2
2	Actieve duig	1	20	Schuifkap	1
3	Voedselblad	1	21	Netsnoer	1
4	Beschermerschijf mes	1	22	Schuifas	1
5	Mes	1	23	Knop met schaal	1
6	Beschermring mes	1	24	Veerpakking	1
7	Beugel lade	1	25	Nok	1
8	Vaste arm voedsel	1	26	Nokkenstaaf	1
9	Huls vaste arm	1	27	Schuiver	1
10	Handgreep vaste arm	1	28	Brikettering schuifas	2
11	Plastic korrel	1	29	Veer van trekbeugel schuifas	2
12	Motor	1	30	Trekbeugel-as	1
13	Brikettering motor	1	31	Vierkante as	1
14	Pen vaste arm Ø12×185	1	32	Trekbeugel	1
15	Bouten mesbescherming	1	33	M8×35Inbusschroef	1
16	Kogellager 6202	2	34	Kogellager 607	1
17	Wiel mesriem Ø66	1	35	Knop afdekking trekbeugel	1
18	Pen van mesriem	1	36	Relais	1

Nr. onderdeel	Naam onderdeel	Aantal	Nr. onderdeel	Naam onderdeel	Aantal
37	Condensator	1	64	Kruiskopmoer beschermerschijf mes	1
38	Condensatorhouder	1	65	Bout handgreep vaste arm	1
39	Knopkap	1	66	Bout vingerplaat	2
40	Knopschakelaar	1	67	Moer vingerplaat	2
41	Moederbord	1	68	Knopbout beugel	1
42	Vleeschrapper	1	69	Undee veerpakking	1
43	Slijperkap	1	70	Inslobout motor	1
44	Slijpbasis van subassemblage	1	71	Afstandsplaat vleeschrapper	2
45	Slijpbasis van assemblage	1	72	Bout vleeschrapper	2
46	Knop van slijper	2	73	Klembout condensatorbevestiging	1
47	Fijne slijpschijf Ø45	1	74	Lagerkap lade	1
48	Grove slijpschijf Ø45	1	75	Beugel vleesbord	1
49	Pen slijpsteen	2	76	Lagerkap lade B	1
50	Veer	2	77	Verzonken kop en kruisgleuf M6×12	2
51	Pen slijpbeugel	1	78	Briketteringsbout schuifas	4
52	Aandraaiknop slijper	1	79	Borgschroef vierkante as	2
53	Mandril actieve duig	1	80	Afstelbout schuiver	1
54	Rubberen voetje	4	81	Magneet	1
55	Pen van beschermring mes	2	82	Magneetschakelaar	1
56	Vleesblokkeerbord	1	83	Aluminium blok	1
57	Beugel schuifas	2	84	Microschakelaar	1
58	Klein riemwiel van motor	1	85	Roestvrijstalen slot	1
59	Schuifaandrijver	1	86	Begrensd blok	1
60	Instelling riemwiel	1	87	Roestvrijstalen balk	1
61	Instelling slijper	1	88	Stelschroef voor beugel lade	1
62	Ø15 Veerpakking voor lager	1	89	Olieafdichting	1
63	Ø15 Veerpakking voor lager	1			



Onderdelenlijst (Artikelnr.: 210017)



NL

Nr. onderdeel	Naam onderdeel	Aantal	Nr. onderdeel	Naam onderdeel	Aantal
101	Behuizing	1	118	Pen van riemwiel	1
102	Actieve duig	1	119	RiemSV.400	2
103	Voedselblad	1	120	Ondersteunende basis	1
104	Beschermerschijf mes	1	121	Kabelmantel	1
105	Mes	1	122	Vleeschraaper	1
106	Beschermring mes	1	123	Knopkap	1
107	Beugel lade	1	124	Knopschakelaar	1
108	Vaste arm voedsel	1	125	Condensator	1
109	Huls vaste arm	1	126	Condensatorhouder	1
110	Handgreep	1	127	Schroef van gerichte staf	1
111	Plastic korrel	1	128	Knop met schaal	1
112	Motor	1	129	Veerring	1
113	Brikettering motor	1	130	Nok300	1
114	Netsnoer	1	131	Moederbord	1
115	Bouten mesbeschermer	1	132	Nokkenpen	1
116	Kogellager 6204	2	133	Schuifas	1
117	Riemwiel	1	134	Schuiver	1



Nr. onderdeel	Naam onderdeel	Aantal	Nr. onderdeel	Naam onderdeel	Aantal
135	Rubberen voetje	4	164	Ø 20Veerring voor lager	1
136	Brikettering schuifas	2	165	Ø 47Veerring voor gat	1
137	Relais	2	166	Kruiskopmoer beschermerschijf mes	1
138	Veer van schuifas	1	167	Bout handgreep vaste arm	1
139	Schuifas trekbeugel	1	168	Bout vingerplaat	2
140	Vierkante as	1	169	Moer vingerplaat	2
141	Trekbeugel	1	170	Knopbout beugel	1
142	Knop van trekbeugel	1	171	Knopmoer beugel	1
143	Slijperkap	2	172	Bout knop beugel	1
144	Knop	1	173	Borgschroef vierkante as	2
145	Fijne slijpschijf Ø45	2	174	Briketteringsbout schuifas	4
146	Pen van braamreinigingswiel	2	175	Bout schuifas	1
147	Veer van braamreinigingswiel	2	176	Ø 12Undee veerpakking	1
148	Grove slijpschijf Ø45	1	177	Afstandsplaat vleesschraper	2
149	Spanknop slijper	1	178	Bout vleesschraper	1
150	Ondersteunende basis buitenste ring	1	179	Steunpunt afstandsplaat lager	2
151	Ø 4.751Wiel	1	180	Steunpunt lagerbout	2
152	Pen van slijpsteen	1	181	Roestvrijstalen slot	1
153	Slijpbasis van subassemblage	2	182	Magneet	1
154	Pen van beschermring mes	1	183	Magneetschakelaar	1
155	Pen van voedsellade	1	184	Begrensd blok	1
156/156A	Vleesblokkeerbord	1	185	Microschakelaar	1
157	Beugel van schuifas	1	186	Lagerkap lade A	1
158	Klein riemwiel van motor	1	187	Lagerkap lade B	1
159	Schuifoverdrachtswiel	1	188	Steunpunt afstandsplaat lager	1
160	Handgreep trekbeugel	1	189	Oliefdichting	1
161	Schuifas608	1	190	Roestvrijstalen balk	1
162	Instelling riemwiel	1	191	Stelschroef voor beugel lade	1
163	Instelling slijper	1			



Garantie

Elk defect waardoor de werking van het apparaat nadelig wordt beïnvloed dat zich binnen één jaar na aankoop van het apparaat voordoet, wordt gratis hersteld door reparatie of vervanging, mits het apparaat conform de instructies is gebruikt en onderhouden en niet op enigerlei wijze verkeerd is behandeld of misbruikt. Dit laat onverlet uw bij wet bepaalde rechten. Als de garantie van kracht is, vermeld dan waar en

wanneer u het apparaat hebt gekocht en sluit een aankoopbewijs bij (bijv. kassabon of factuur).

Gezien ons streven naar voortdurende verdere productontwikkeling behouden wij ons het recht voor, zonder voorafgaande kennisgeving wijzigingen aan te brengen aan product, verpakking en documentatie.

Verwijdering & milieu

Bij de buitengebruikstelling van het apparaat, mag het niet met het overige huisafval worden verwijderd. In plaats daarvan is het uw verantwoordelijkheid om uw afgedankte apparatuur in te leveren bij een daartoe aangewezen inzamelpunt. Het niet opvolgen van deze regel kan worden bestraft in overeenstemming met de geldende voorschriften voor afvalverwerking. De gescheiden inzameling en recycling van uw afgedankte apparatuur ten tijde van buitengebruikstelling helpt bij de instandhouding van natuurlijke hulpbron-

nen en waarborgt dat de apparatuur wordt gerecycled op een manier die de volksgezondheid en het milieu beschermt. Voor meer informatie over waar u uw afval kunt inleveren voor recycling kunt u contact opnemen met uw lokale afvalverwerkingsbedrijf. De fabrikant en importeurs nemen geen verantwoordelijkheid voor de recycling, behandeling en ecologische verwijdering, hetzij rechtstreeks of via een openbaar systeem.

Szanowny Kliencie,

Dziękujemy za zakup urządzenia firmy Hendi. Prosimy o uważne zapoznanie się z niniejszą instrukcją przed podłączeniem urządzenia, aby uniknąć uszkodzeń spowodowanych niewłaściwą obsługą. Należy zwrócić szczególną uwagę na zasady bezpieczeństwa.

WAŻNE ZASADY BEZPIECZEŃSTWA

- Nieprawidłowa obsługa i niewłaściwe użycie mogą spowodować poważne uszkodzenie urządzenia lub zranienie osób.
- Urządzenie stosuj wyłącznie zgodnie z przeznaczeniem. Producent i/lub Sprzedawca nie ponosi żadnej odpowiedzialności za szkody spowodowane nieprawidłową obsługą i niewłaściwym użytkowaniem urządzenia.
- W czasie użycia zabezpiecz urządzenie i wtyczkę kabla zasilającego przed kontaktem z wodą lub innymi płynami. W mało prawdopodobnym przypadku zanurzenia urządzenia w wodzie, natychmiast wyciągnij wtyczkę z kontaktu, a następnie zleć kontrolę urządzenia specjaliście. Nieprzestrzeganie tej instrukcji może spowodować zagrożenie życia.
- Nigdy nie otwieraj samodzielnie obudowy urządzenia.
- Nie wtykaj żadnych przedmiotów w obudowę urządzenia.
- Nie dotykaj wtyczki kabla zasilającego wilgotnymi rękami.
- **Ryzyko porażenia prądem!** Regularnie kontroluj stan wtyczki i kabla. W przypadku wykrycia uszkodzenia wtyczki lub kabla, zleć naprawę w wyspecjalizowanym punkcie naprawczym.
- **Nigdy nie używaj uszkodzonego urządzenia!** W przypadku, gdy urządzenie spadnie lub ulegnie uszkodzeniu w inny sposób, przed dalszym użyciem zawsze zleć przeprowadzenie kontroli i ewentualną naprawę w wyspecjalizowanym punkcie naprawczym.
- **Ostrzeżenie!** Nie zanurzaj elektrycznych części urządzenia w wodzie lub w innych płynach. Nigdy nie trzymaj urządzenia pod bieżącą wodą.
- Nigdy nie naprawiaj urządzenia samodzielnie może to spowodować zagrożenie życia.
- Chronь kabel zasilający przed kontaktem z ostrymi lub gorącymi przedmiotami i chronь go przed otwartym ogniem. Jeżeli chcesz odłączyć urządzenie z kontaktu, zawsze chwytaj za wtyczkę, nigdy nie ciągnij za kabel.
- Zabezpiecz kabel (lub przedłużacz), aby nikt przez omyłkę nie wyciągnął go z kontaktu ani się o niego nie potknął.
- Urządzenie powinno być używane tylko do celów, dla których zostały pierwotnie zaprojektowane.
- Kontroluj funkcjonowanie urządzenia w czasie użytkowania.
- Dzieci nie uświadamiają sobie zagrożeń, jakie może spowodować użycie urządzeń elektrycznych. Nigdy nie pozwalaj dzieciom posługiwać się elektrycznymi urządzeniami gospodarstwa domowego bez nadzoru.
- Gdy urządzenie nie jest używane oraz zawsze przed czyszczeniem, odłącz je od źródła zasilania, wyciągając wtyczkę z kontaktu.
- Uwaga! Jeżeli wtyczka kabla zasilającego jest podłączona do kontaktu, urządzenie cały


PL



czas pozostaje pod napięciem.

- Wyłącz urządzenie, zanim wyciągniesz wtyczkę z kontaktu.
- Nigdy nie przenoś urządzenia za kabel zasilający.
- Nie używaj akcesoriów innych niż dostarczone z urządzeniem.
- Urządzenie można podłączać wyłącznie do gniazda o napięciu i częstotliwości zgodnej z danymi znajdującymi się na tabliczce znamionowej.
- Unikaj przeciążenia.
- Po użyciu wyłącz urządzenie wyjmując wtyczkę z gniazda.
- Instalacja elektryczna musi odpowiadać krajowym i lokalnym przepisom.
- Z urządzenia nie mogą korzystać osoby (także dzieci), u których stwierdzono osłabione zdolności fizyczne, sensoryczne lub umysłowe, albo którym brakuje odpowiedniej wiedzy i doświadczenia, chyba że odbywa się to pod nadzorem lub zgodnie z instrukcjami osoby odpowiedzialnej za ich bezpieczeństwo.

Szczególne zasady bezpieczeństwa

- To urządzenie jest profesjonalną maszyną do przetwarzania żywności, przeznaczoną wyłącznie do krojenia artykułów spożywczych, jak mięso, ser, kiełbasa, chleb itp. Żywność musi być rozmrożona, rozpakowana i bez kości, żeby można ją pokroić za pomocą tego urządzenia. Wykorzystanie urządzenia do innych celów może doprowadzić do jego uszkodzenia lub obrażeń ciała.
- Urządzenie nie powinno być wykorzystywane do cięcia lub krojenia mrożonej żywności, mięsa z kością, ryb lub innych produktów niespożywczych itp.
- Urządzenia należy używać tylko w sposób opisany w tej instrukcji.
- Urządzenie powinno być obsługiwane przez przeszkolony personel w kuchni restauracji, pracowników barów i stołówek itp.
- Nie należy umieszczać urządzenia na obiektach grzewczych (kuchenka elektryczna, na węgiel drzewny, benzynę itp.). Należy trzymać urządzenie z dala od gorących powierzchni i otwartego ognia. Zawsze należy używać urządzenia na równej, stabilnej, czystej, odpornej na wysoką temperaturę i suchej powierzchni.
- Urządzenie nie jest przeznaczone do pracy przy użyciu zewnętrznego zegara lub oddzielnego systemu zdalnego sterowania.
-  Wraz z urządzeniem dostarczony jest przewód wyrównania potencjałów, umożliwiający łączenie krzyżowe z innymi urządzeniami.
- Nigdy nie należy omijać żadnych zabezpieczeń urządzenia.
- **OSTRZEŻENIE:** Nie należy zastaniać żadnych otworów wentylacyjnych urządzenia.
- **OSTRZEŻENIE: ZAWSZE** należy wyłączać urządzenie i odłączać od zasilania przed czyszczeniem, konserwacją lub przechowywaniem.
- **OSTRZEŻENIE: ZAWSZE** należy trzymać ręce, długie włosy i ubrania z dala od ruchomych części urządzenia.
- **OSTRZEŻENIE:** Należy zachować szczególną ostrożność podczas postugiwania się ostrzem tnącym. W razie potrzeby należy założyć rękawice ochronne (brak w zestawie).

- Dla celów wentylacyjnych podczas użytkowania należy zostawić co najmniej 15 cm wolnej przestrzeni wokół urządzenia.
- **Uwaga!** Jeśli to konieczne, należy bezpiecznie poprowadzić przewód zasilający, aby zapobiec niezamierzonemu pociągnięciu lub kontaktowi z powierzchnią grzewczą.
- Nie należy myć urządzenia wodą lub strumieniem wody. Mycie wodą może spowodować wyciek i zwiększyć ryzyko porażenia prądem. Żadne części urządzenia nie są przeznaczone do mycia w zmywarce.
- Nie należy czyścić ani umieszczać urządzenia w miejscu przechowywania, dopóki nie zostanie całkowicie schłodzone.
- Nie należy przesuwac urządzenia, gdy jest ono używane. Przed przeniesieniem należy odłączyć urządzenie i przytrzymać je od spodu.
- Ze względu na dużą wagę urządzenia, podczas jego przenoszenia lub transportu należy zachować szczególną ostrożność. Urządzenie należy przenosić co najmniej w 2 osoby lub przy pomocy wózka. Urządzenie należy przenosić powoli, ostrożnie i nigdy nie przechylać go o więcej niż 45°.

Przeznaczenie

- Urządzenie przeznaczone jest do zastosowania profesjonalnego i powinno być obsługiwane wyłącznie przez wykwalifikowany personel.
- Urządzenie jest przeznaczone tylko do krojenia artykułów spożywczych, np. mięsa, sery, pieczywo itp. Użycie urządzenia w jakimkolwiek innym celu może prowadzić do jego uszkodzenia lub do obrażeń ciała.
- Wykorzystanie urządzenia w jakimkolwiek innym celu uznane będzie za wykorzystanie niezgodne z przeznaczeniem. Użytkownik będzie odpowiedzialny za nieprawidłowe wykorzystanie urządzenia.

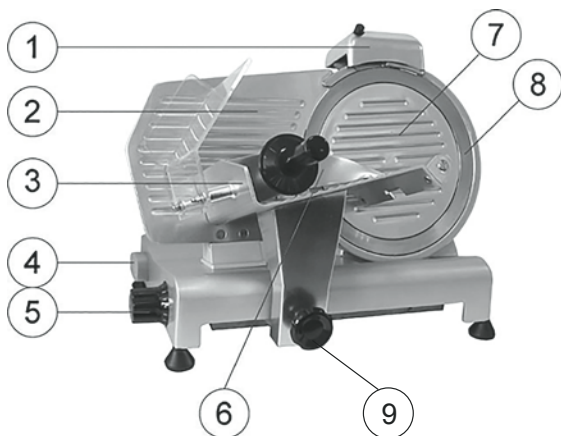
Montaż uziemienia

Piec jest urządzeniem I klasy ochronności i wymaga uziemienia. Uziemienie zmniejsza ryzyko porażenia prądem, dzięki zastosowaniu przewodu odprowadzającego prąd elektryczny. Urządzenie

wyposażone jest w przewód z uziemieniem z wtykiem uziemiającym. Nie wkładaj wtyczki do gniazdka, jeśli urządzenie nie zostało odpowiednio zainstalowane i uziemione.

Główne części urządzenia

- 1 Ostrzałka
- 2 Krawędź boczna wózka
- 3 Wózek
- 4 Włacznik
[Białe (I): Włączone;
Czarne (O): Wyłączone]
- 5 Pokrętko grubości krojenia
- 6 Dociskacz produktu
- 7 Ostona osi
- 8 Ostrze
- 9 Blokada wózek
- 10 Wkręt ostony ostrza
(niewidoczny na zdjęciu)

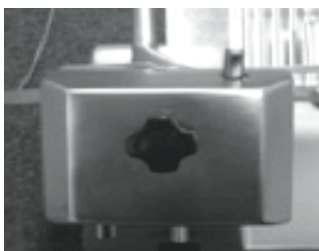


Przed pierwszym użyciem

- Upewnij się, że nie brakuje żadnych części. W przeciwnym razie, skontaktuj się z dostawcą.
- Usuń materiał opakowania.
- Należy sprawdzić, czy urządzenie jest kompletne i czy nie zostało uszkodzone podczas transportu. W przypadku braku części lub uszkodzenia należy natychmiast skontaktować się z dostawcą. NIE wolno używać urządzenia. (Zobacz ==> Gwarancja).
- Wyczyść ostrze. Uwaga: jest ono bardzo ostre! (W razie potrzeby należy korzystać z rękawic, brak w zestawie)
- Pozostaw wolną przestrzeń min.10 cm wokół urządzenia, aby zapewnić odpowiednią wentylację.
- Ustaw urządzenie w taki sposób, aby umożliwić swobodny dostęp do wtyczki.
- Jeśli ostrzatka nie jest zamontowana, postępuj zgodnie z poniższymi wskazówkami:



1. Widok z góry



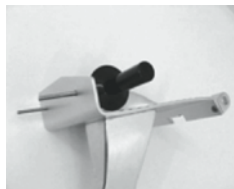
2. Zamontuj moduł ostrzatki w taki sposób, aby ostrze nie poruszało się między kamieniami ostrzycymi.



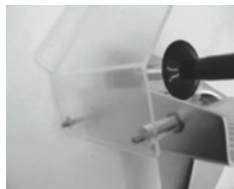
3. Zaciśnij uchwyt, aby ostrzatka pozostała nieruchomo na miejscu. Przed użyciem urządzenia upewnij się, że ostrzatka jest stabilnie zamontowana.

UWAGA! Ostrzatka została wyposażona w wyłącznik bezpieczeństwa. W przypadku gdy nie jest zamontowana w odpowiedni sposób, korzystanie z urządzenia będzie niemożliwe.

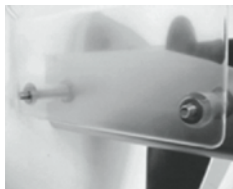
- Zamontuj osłonę zabezpieczającą dłoń.



1. Umieść dwie śruby w wózku.



2. Zamocuj osłonę zabezpieczającą.



3. Umieść dwie podkładki na śrubach.



4. Nakręć dwie nakrętki kotłakowe.

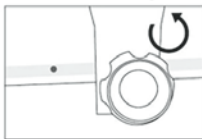
UWAGA! Zaleca się, aby nie używać urządzenia, jeśli osłona zabezpieczająca dłoń nie jest zamocowana w sposób pokazany powyżej! Osłona ma ochronić użytkownika przed odniesieniem obrażeń. Jeśli nie zamontujesz zabezpieczeń, istnieje ryzyko odniesienia obrażeń.

Korzystanie z urządzenia

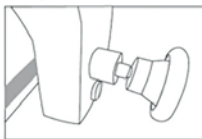
- Ustaw urządzenie w taki sposób, aby włącznik był skierowany w stronę użytkownika
- Jeśli ostrzałka nie jest zamontowana, postępuj zgodnie z poniższymi wskazówkami:
 - Zamontuj ostrzałkę we wsporniku w taki sposób, aby ostrze nie wystawało poza kamienie ostrzące.
 - Dokręć śrubę bezpieczeństwa na ostrzałce.
 - Uwaga! Jest ono wyposażone w wyłącznik bezpieczeństwa, który automatycznie wyłączy urządzenie, jeśli zostanie usunięta ostrzałka.
- Włóż wtyczkę do gniazda sieciowego.
- Przekręć pokrętło ze skalą i ustaw wymaganą grubość krojenia.
- Włącz urządzenie, naciskając „BIAŁY (I)” przycisk przełącznika WŁ./WYŁ.
- Połóż produkt na wózku i ustaw dociskacz tak, aby stabilnie utrzymał produkt na miejscu. Upewnij się, że produkt przylega do krawędzi bocznej wózka.
- Po pokrojeniu produktu wyłącz urządzenie, naciskając „CZARNY (O)” przycisk przełącznika WŁ./WYŁ.
- Ustaw pokrętło z powrotem na pozycję “0”.

Blokowanie krajalnicy

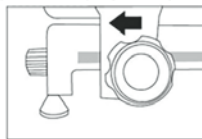
- 1 Przekręć pokrętło w stronę przeciwną do kierunku ruchu wskazówek zegara.



- 2 Przekręcaj pokrętło do momentu aż będzie całkowicie poluzowane

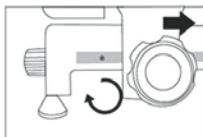


- 3 Ustaw wózek w odpowiedniej pozycji. Krajalnica zablokuje się automatycznie



Odblokowanie krajalnicy

- 1 Przekręć pokrętło zgodnie z kierunkiem ruchu wskazówek zegara, aby odblokować krajalnicę. Pokrętło powinno być przekręcone do końca, tak aby utrzymało wózek w stabilnej pozycji.



Ostrzenie

Jeśli ostrze jest stępione, należy je naostrzyć. Ostrze jest niezwykle wytrzymałe. Jeśli jest eksploatowane w regularny i odpowiedni sposób, wystarczy je naostrzyć raz do roku.

- Wyciągnij wtyczkę z gniazdka sieciowego
- Ustaw pokrętko grubości krojenia na pozycję "0".
- Wyczyść ostrze.
- Odkręć pokrętko blokujące ostrzałkę.
- Podnieś ostrzałkę z elementu blokującego i obróć ją o 180°.
- Kamień ostrzący powinien znajdować się po obu stronach ostrza.
- Opuść ostrzałkę do momentu aż zablokuje się w elemencie blokującym.
- Zabezpiecz ostrzałkę w danej pozycji przykręcając pokrętko blokujące.
- Włącz urządzenie. Ostrze zacznie się obracać.
- Użyj przycisku, aby docisnąć pochyły kamień ostrzący do ostrza i utrzyj go w takiej pozycji przez 2 minuty. Kamień ostrzący powinien obracać się razem z ostrzem.

- Użyj przycisku, aby lekko docisnąć pionowy kamień ostrzący do ostrza w celu usunięcia zardzieńców. Kamień ostrzący powinien obracać się razem z ostrzem.
- Wytącz urządzenie i wyciągnij wtyczkę z gniazdka sieciowego.
- Odkręć pokrętko blokujące ostrzałkę i wyczyść kamienie ostrzące przy użyciu alkoholu.
- Ułóż ostrzałkę z powrotem na urządzeniu w pozycji wyjściowej i dokręć pokrętko blokujące, aby pozostała nieruchomo na miejscu. Ostrze nie może wystawać pomiędzy kamieniami ostrzącymi.
- Zanurzyć w ciepłej, lekko namydlonej wodzie przez kilka minut. Dokładnie wyłukać i osuszyć.
- Włożyć wtyczkę do gniazdka elektrycznego. Postępować bardzo ostrożnie.
- Urządzenie jest gotowe do pracy.

Czyszczenie i konserwacja

- **Uwaga:** Przed czyszczeniem i przechowywaniem urządzenia zawsze należy odłączyć je od źródła zasilania i poczekać, aż będzie całkowicie schłodzone. Dodatkowo, należy ustawić pokrętko grubości plastra w pozycji „0”.
- Czyścić urządzenie po każdym użyciu.
- **UWAGA:** Nie zanurzaj urządzenia w wodzie lub jakiegokolwiek innej cieczy!
- Powierzchnie czyść wilgotną ściereczką (z wodą i łagodnym środkiem czyszczącym).
- Nie używaj żrących lub ściernych środków chemicznych. Nie używaj ostrych narzędzi. Nie używaj benzyny ani rozpuszczalników. Urządzenie czyść wilgotną ściereczką z dodatkiem płynu do mycia naczyń (jeśli wystąpi taka potrzeba).

- Zanurzyć w ciepłej, lekko namydlonej wodzie przez kilka minut. Dokładnie wyłukać i osuszyć.
- Postępować bardzo ostrożnie.
- W przypadku gdy wózek utrzymujący produkt nie działa płynnie, ustaw urządzenie na boku. Ostrożnie wyczyść pręt, po którym porusza się wózek i nasmaruj go wazeliną.

Przechowywanie

- Przed schowaniem urządzenia należy upewnić się, że zostało odłączone od gniazdka elektrycznego i jest całkowicie schłodzone.

- Urządzenie należy przechowywać w chłodnym, czystym i suchym miejscu.

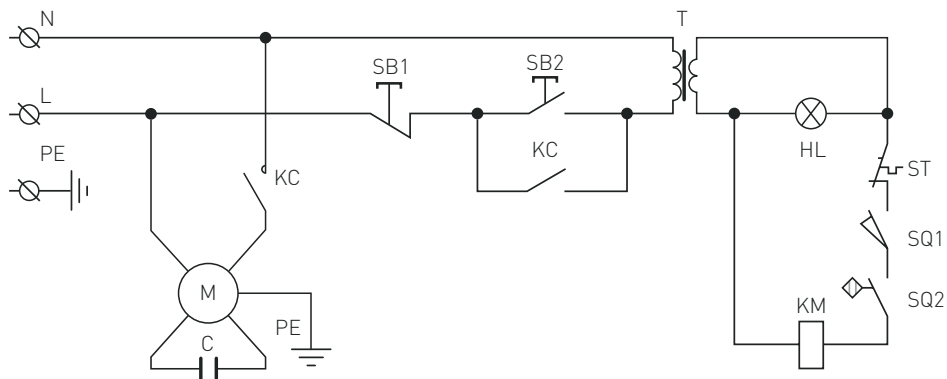
Rozwiązywanie problemów

Jeżeli urządzenie nie działa prawidłowo, spróbuj znaleźć rozwiązanie w poniższej tabeli. Jeżeli nadal nie możesz rozwiązać problemu, należy kontaktować się z dostawcą/dostawcą usługi.

Problem	Możliwa przyczyna	Rozwiązanie
Urządzenie kroi nierówno	Stępione ostrze	Ostrze wymaga naostrzenia
	Brudne urządzenie	Wyczyść urządzenie
Urządzenie nie kroi	Silnik się przegrzał	Zostaw maszynę do ostygnięcia na dłuższy czas. Termostat bezpieczeństwa na silniku, automatycznie zresetuje się.
Wózek się nie przesuwa	Zabrudzony pręt, po którym porusza się wózek.	Reinig de glijstang en smeer met vaseline
	Części żywności przyklejają się do ostrza.	Wyłączyć urządzenie i odłączyć je od zasilania. Zaczekać, aż się całkowicie zatrzyma. Usunąć wszelkie przeszkadzające fragmenty żywności. Wytrzeć ostrze wilgotną szmatką.
Ostrze przestaje się obracać podczas krojenia produktu	Zużyty lub zabrudzony pasek napędowy	Skontaktować się z dostawcą

Schemat obwodu dla 210000, 210017, 210031, 210048

Napięcie wejściowe AC: AC220-240V 50Hz



M : Silnik

T : Transformator

C : Kondensator

PE : Przewód ochronny (uziemienie)

L : Przewód fazowy

N : Przewód neutralny

SB1, SB2 : Włącznik

KC : Przełącznik

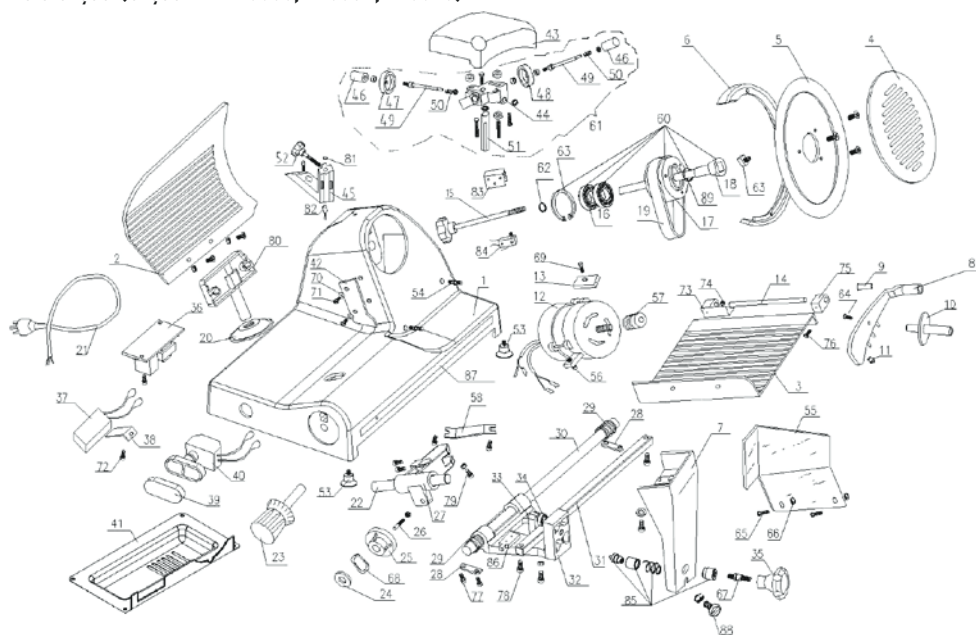
HL : Żarówka

ST : Bezpiecznik termiczny

SQ1, SQ2 : Mikro włącznik



Lista części (część nr : 210000, 210031, 210048)



PL

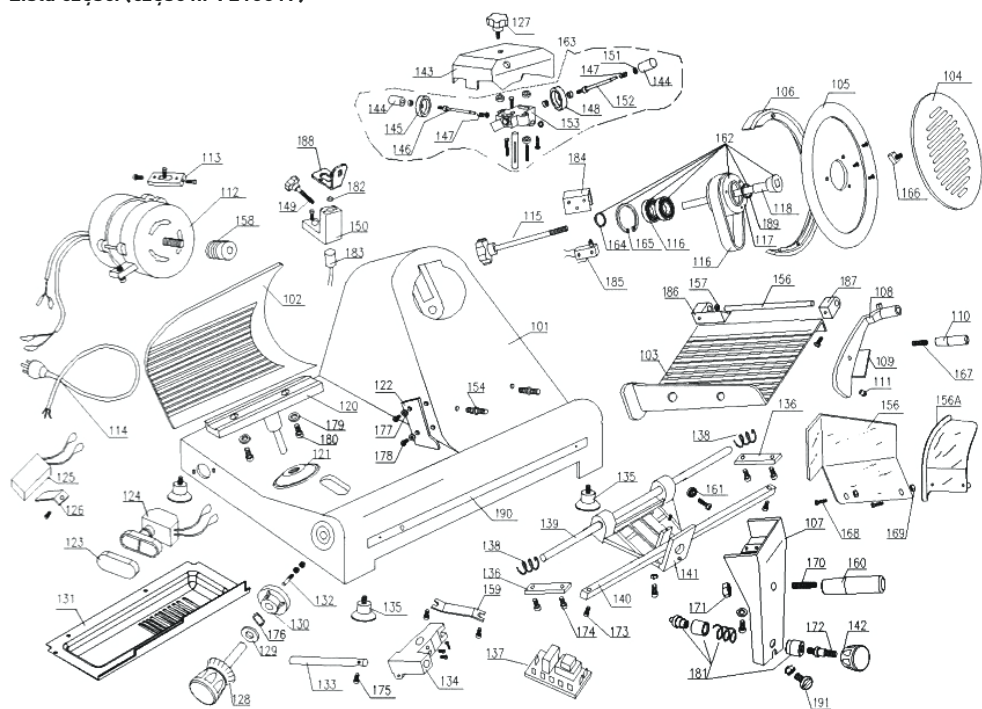
Nr części	Nazwa części	Ilość	Nr części	Nazwa części	Ilość
1	Obudowa	1	20	Przykrycie suwaka	1
2	Aktywna deska	1	21	Przewód zasilania	1
3	Taca na żywność	1	22	Oś suwaka	1
4	Tarcza ochronna ostrza	1	23	Pokrętło z podziałką	1
5	Ostrze	1	24	Uszczelka sprężynowa	1
6	Pierścień ochronny ostrza	1	25	Krzywka	1
7	Wspornik tacy	1	26	Oś krzywki	1
8	Stałe ramię do żywności	1	27	Suwak	1
9	Tuleja stałego ramienia	1	28	Podkładka osi suwaka	2
10	Rączka stałego ramienia	1	29	Sprężyna osi wózka	2
11	Plastikowa granulka	1	30	Oś wózka	1
12	Silnik	1	31	Oś czworoboczna	1
13	Podkładka silnika	1	32	Wózek	1
14	Bolec stałego ramienia $\varnothing 12 \times 185$	1	33	Wkręt sześciokątny M8 x 35	1
15	Wkręty ostony ostrza	1	34	Łożysko kulkowe 607	1
16	Łożysko kulkowe 6202	2	35	Pokrętło pokrywy wózka	1
17	Rolka ostrza $\varnothing 66$	1	36	Przełącznik	1
18	Bolec rolki	1	37	Kondensator	1
19	Pasek SV.330	2	38	Ostona kondensatora	1



Nr części	Nazwa części	Ilość	Nr części	Nazwa części	Ilość
39	Przykrycie przycisku	1	65	Bolec rączki stałego ramienia	1
40	Przetąacznik przycisku	1	66	Śruba przegrody	2
41	Płyta główna	1	67	Nakrętka przegrody	2
42	Skrobaczka do mięsa	1	68	Śruba pokrętła wspornika	1
43	Przykrycie ostrzarki	1	69	Podkładka uszczelki sprężynowej	1
44	Podstawa ostrzarki	1	70	Śruba siłnika	1
45	Podstawa ostrzarki	1	71	Podkładka skrobaczki mięsa	2
46	Przycisk ostrzarki	2	72	Śruba skrobaczki mięsa	2
47	Drobno szlifujące kółko Ø45	1	73	Śruba mocująca wspornik kondensatora	1
48	Grubo szlifujące kółko Ø45	1	74	Pokrywa łożyska tacy A	1
49	Bolec ostrzarki	2	75	Wspornik deski do mięsa	1
50	Sprężyna	2	76	Pokrywa łożyska tacy B	1
51	Bolec wspornika ostrzarki	1	77	Śruba M6×12	2
52	Pokrętło dokręcania ostrzarki	1	78	Śruba podkładki osi suwaka	4
53	Trzpień aktywnej deski	1	79	Śruba blokująca osi czworobocznej	2
54	Gumowa stopka	4	80	Śruba do regulacji suwaka	1
55	Bolec pierścienia ochronnego ostrza	2	81	Magnes	1
56	Płytką blokująca mięso	1	82	Przetąacznik magnesu	1
57	Wspornik osi suwaka	2	83	Blok aluminiowy	1
58	Mata rolka siłnika	1	84	Mikro włącznik	1
59	Sterownik suwaka	1	85	Zamek ze stali nierdzewnej	1
60	Montaż rolki	1	86	Ogranicznik	1
61	Ustawienie ostrzenia	1	87	Listwa ze stali nierdzewnej	1
62	Ø15 Uszczelka sprężynowa do łożyska	1	88	Śruba wspornika podajnika	1
63	Ø15 Uszczelka sprężynowa do łożyska	1	89	Uszczelka olejowa	1
64	Kwadratowa nakrętka tarczy ochronnej ostrza	1			



Lista części (część nr : 210017)



PL

Nr części	Nazwa części	Ilość	Nr części	Nazwa części	Ilość
101	Obudowa	1	119	Pasek SV.400	2
102	Aktywna deska	1	120	Podstawa wspierająca	1
103	Taca na żywność	1	121	Izolacja przewodu	1
104	Tarcza ochronna ostrza	1	122	Skrobaczka do mięsa	1
105	Ostrze	1	123	Przykrycie przycisku	1
106	Pierścień ochronny ostrza	1	124	Przełącznik przycisku	1
107	Wspornik tacy	1	125	Kondensator	1
108	Stałe ramię do żywności	1	126	Ostona kondensatora	1
109	Tuleja stałego ramienia	1	127	Śruba osi	1
110	Uchwyt	1	128	Pokrętło z podziałką	1
111	Plastikowa granulka	1	129	Uszczelka sprężynowa	1
112	Silnik	1	130	Krzywka 300	1
113	Podkładka silnika	1	131	Płyta główna	1
114	Przewód zasilania	1	132	Bolec krzywki	1
115	Wkręty ostony ostrza	1	133	Oś suwaka	1
116	Łożysko kulkowe 6204	2	134	Suwak	1
117	Rolka	1	135	Gumowa stopka	4
118	Bolec rolki	1	136	Podkładka osi suwaka	2



Nr części	Nazwa części	Ilość	Nr części	Nazwa części	Ilość
137	Przełożnik	1	165	Ø 47 Uszczelka sprężynowa	1
138	Sprężyna osi suwaka	2	166	Kwadratowa nakrętka tarczy ochronnej ostrza	1
139	Oś suwaka wózka	1	167	Bolec rączki statego ramienia	1
140	Oś czworoboczna	1	168	Śruba przegrody	2
141	Wózek	1	169	Nakrętka przegrody	2
142	Przycisk wózka	1	170	Śruba pokrętła wspornika	1
143	Przykrycie ostrzarki	1	171	Nakrętka pokrętła wspornika	1
144	Przycisk	2	172	Dolna śruba wspornika	1
145	Drobno szlifujące kółko Ø45	1	173	Śruba blokująca osi czworobocznej	2
146	Bolec kółka czyszczącego	2	174	Śruba podkładki osi suwaka	4
147	Sprężyna kółka czyszczącego	2	175	Śruba osi suwaka	1
148	Grubo szlifujące kółko Ø45	2	176	Podkładka uszczelki sprężynowej Ø 12	1
149	Pokrętło dokręcania ostrzarki	1	177	Podkładka skrobaczki mięsa	2
150	Podstawa zewnętrznego pierścienia	1	178	Śruba skrobaczki mięsa	1
151	Kółko Ø 4,751	1	179	Podkładka podstawy	2
152	Bolec ostrzarki	1	180	Śruba podstawy	2
153	Podstawa ostrzarki	1	181	Zamek ze stali nierdzewnej	1
154	Bolec pierścienia ochronnego ostrza	2	182	Magnes	1
155	Bolec tacy na żywność	1	183	Przetącznik magnesu	1
156/156A	Płytką blokująca mięso	1	184	Ogranicznik	1
157	Wspornik osi suwaka	1	185	Mikro włącznik	1
158	Mała rolka silnika	1	186	Pokrywa łożyska tacy A	1
159	Sterownik suwaka	1	187	Pokrywa łożyska tacy B	1
160	Rączka wózka	1	188	Podkładka podstawy	1
161	Oś suwaka 608	1	189	Uszczelka olejowa	1
162	Montaż rolki	1	190	Listwa ze stali nierdzewnej	1
163	Ustawienie ostrzenia	1	191	Śruba wspornika podajnika	1
164	Ø 20 Uszczelka sprężynowa do łożyska	1			



Gwarancja

Każda usterka powodująca złe funkcjonowanie urządzenia, która ujawni się w ciągu jednego roku od zakupu, zostanie bezpłatnie usunięta lub urządzenie zostanie wymienione na inne, pod warunkiem, że było użytkowane i konserwowane zgodnie z instrukcją obsługi i nie było wykorzystywane do innych celów lub w jakikolwiek inny niewłaściwy sposób. Nie narusza to innych praw użytkownika, wynikających z przepisów prawa. W przypadku ko-

rzystania z gwarancji, należy podać miejsce i czas zakupu urządzenia, dotychczas do niego dowód zakupu (np. paragon).

Zgodnie z naszą polityką ciągłego udoskonalania produktów zastrzegamy sobie prawo do wprowadzania zmian w produkcie, opakowaniu oraz specyfikacjach zawartych w dokumentacji bez uprzedniego powiadomienia.

Wycofanie z użytkowania i ochrona środowiska

Pamiętaj!

Nie wyrzucaj zużytego sprzętu łącznie z innymi odpadami

Nie demontuj zużytych urządzeń zawierających niebezpieczne składniki na własną rękę!

Grożą Ci za to kary grzywny!

Po zakończeniu eksploatacji produktu nie wolno gromadzić razem z odpadami komunalnymi, tylko należy odstawić do punktu odbioru odpadów elektrycznych i elektronicznych. Użytkownik ponosi odpowiedzialność za przekazanie wycofanego z użytkowania urządzenia do punktu gospodarowania odpadami. Nieprzestrzeganie tej zasady może być karane zgodnie z lokalnie obowiązującymi przepisami dotyczącymi gospodarowania odpadami. Jeśli urządzenie wycofane z użytkowania jest poprawnie odebrane jako osobny odpad, może zostać przetworzone i zutylizowane w sposób przyjazny dla środowiska, co zmniejsza negatywny wpływ na środowisko i zdrowie ludzi. Aby uzyskać więcej informacji dotyczących dostępnych usług w zakresie odbioru odpadów, należy skontaktować się z lokalną firmą odbierającą odpady.



Symbol przekreślonego kosza na śmieci oznacza, że tego produktu nie wolno wyrzucać do zwykłych pojemników na odpady.

Zużyte urządzenia elektryczne i elektroniczne mogą zawierać niebezpieczne składniki np. rtęć, ołów, kadm lub freon. Jeśli tego typu substancje przedostaną się w sposób niekontrolowany do środowiska, spowodują skażenie wody i gleby, a także wplyną niekorzystnie na zdrowie ludzi i zwierząt.

Właściwe postępowanie ze zużytym sprzętem zapobiega potencjalnym negatywnym konsekwencjom dla środowiska naturalnego i ludzkiego zdrowia.

Jednocześnie oszczędzamy naturalne zasoby naszej Ziemi wykorzystując powtórnie surowce uzyskane z przetwarzania sprzętu.

Cher client,

Merci d'avoir acheté cet appareil de Hendi. Veuillez lire attentivement ce mode d'emploi avant de brancher l'appareil afin d'éviter tout endommagement pour cause d'usage abusif. Veuillez notamment lire les consignes de sécurité avec la plus grande attention.

Règles de sécurité


- L'utilisation abusive et le maniement incorrect de l'appareil peuvent entraîner une grave détérioration de l'appareil ou provoquer des blessures.
- Cet appareil est conçu exclusivement à des fins commerciales et non pour un usage domestique.
- L'appareil doit être utilisé uniquement pour le but il a été conçu. Le fabricant décline toute responsabilité en cas de dommage consécutif à un usage abusif ou un maniement incorrect.
- Veillez à tenir l'appareil et la prise électrique hors de portée de l'eau ou de tout autre liquide. Si malencontreusement l'appareil tombe dans l'eau, débranchez immédiatement la prise électrique et faites contrôler l'appareil par un réparateur agréé. La non-observation de cette consigne entraîne un risque d'accident mortel.
- Ne tentez jamais de démonter vous-même le bâti de l'appareil.
- N'enfoncez aucun objet dans la carcasse de l'appareil.
- Ne touchez pas la prise avec les mains mouillées ou humides.
- **Risque d'électrocution!** Ne tentez jamais de réparer l'appareil. Tous défauts et dysfonctionnement doivent être supprimés par le personnel qualifié.
- **N'utilisez jamais l'appareil endommagé!** Débranchez l'appareil endommagé de l'alimentation électrique et contactez votre revendeur.
- **Avertissement:** N'immergez pas les pièces électriques de l'appareil dans l'eau ou dans d'autres liquides. Ne mettez pas l'appareil sous l'eau courante.
- Vérifiez régulièrement la fiche et le câble d'alimentation pour les dommages. La fiche ou le câble d'alimentation endommagé(e) transmettre pour la réparation au service ou à une personne qualifiée, pour prévenir tous les menaces ou les blessures possibles.
- Assurez-vous que le câble d'alimentation n'est pas en contact avec les objets pointus ou chauds ; gardez le câble loin des flammes nues. Pour retirer la fiche de la prise murale, tirez toujours en tenant la fiche et non le câble d'alimentation.
- Protégez le câble d'alimentation (ou la rallonge) contre le débranchement accidentel de la prise murale. Le câble doit être posé de manière ne provoquant pas les chutes accidentelles.
- Surveillez en permanence l'appareil pendant l'utilisation.
- Avertissement ! Si la fiche est insérée dans la prise murale, l'appareil doit être considéré comme branché à l'alimentation.
- Avant de retirer la fiche de la prise, éteignez l'appareil !
- Ne transportez jamais l'appareil en tenant le câble.
- N'utilisez aucuns accessoires qui n'ont pas été fournis avec l'appareil.

FR



- L'appareil doit être branché à la prise murale avec une tension et la fréquence indiquées sur la plaque signalétique.
- Insérez la fiche à la prise murale située dans un endroit facilement accessible de sorte qu'en cas de panne l'appareil puisse être immédiatement déconnecté. Pour éteindre complètement l'appareil, débranchez-le de la source d'alimentation. Pour cela, retirez la fiche à l'extrémité du câble d'alimentation de la prise murale.
- Eteignez l'appareil avant de débrancher l'appareil de la prise!
- N'utilisez jamais les accessoires non recommandés par le fabricant. L'utilisation des accessoires non recommandés peut présenter des risques pour l'utilisateur et provoquer les dommages à l'appareil. Utilisez uniquement des pièces et accessoires originaux.
- Cet appareil n'est pas apte à être utilisé par des personnes (enfants compris) avec capacités physiques, sensorielles ou intellectuelles diminuées ou ne possédant pas l'expérience et les connaissances suffisantes.
- Ne laissez jamais les enfants utiliser l'appareil.
- L'appareil et le câble d'alimentation doivent être stockés hors de la portée des enfants.
- Ne permettez pas aux enfants d'utiliser l'appareil pour jouer
- Débranchez toujours l'appareil de l'alimentation s'il doit être laissé sans surveillance et également avant le montage, le démontage et le nettoyage.
- Ne laissez jamais l'appareil sans surveillance lorsqu'il est utilisé.

Règles particulières de sécurité

- Cet appareil est une machine de transformation des aliments commerciaux et destiné uniquement pour le tranchage des aliments, comme par exemple, la viande, le fromage, les saucisses, le pain, etc. Les aliments à trancher doivent être décongelés, déballés et exempts d'os avant de procéder au découpage avec l'appareil. Toute autre utilisation pourrait endommager l'appareil ou causer des dommages corporels.
- Cet appareil ne doit pas être utilisé pour couper ou trancher les aliments surgelés, la viande non désossée, le poisson ou tous produits non alimentaires, etc.
- Utiliser uniquement l'appareil sous la forme décrite dans ce manuel.
- Cet appareil doit être exploité par le personnel qualifié dans la cuisine du personnel de restaurant, cantines ou bar, etc.
- Ne pas placer l'appareil sur un objet de chauffage. (essence, cuisinière électrique, à charbon, etc.) Tenir l'appareil à l'écart de surfaces chaudes et de flammes nues. Toujours utiliser l'appareil sur une surface plane, stable, propre, résistant à la chaleur et sèche.
- Cet appareil ne peut être utilisé au moyen d'une minuterie externe ou un système de contrôle à distance séparé.
-  Une borne de liaison équipotentielle est destinée à garantir le collage croisé avec d'autres équipements.
- Ne jamais contourner les verrous de sécurité sur l'appareil.
- **ATTENTION:** Maintenir toutes les ouvertures d'aération de l'appareil libres de toutes obstructions.

- **ATTENTION: TOUJOURS** éteindre l'appareil et débrancher d'une alimentation électrique avant le nettoyage, l'entretien ou le stockage.
- **ATTENTION: TOUJOURS** tenez toujours vos mains, cheveux longs et vêtements à l'écart des parties mobiles.
- **ATTENTION:** Soyez vigilant lorsque vous manipulez la lame de coupe. Portez des gants de protection (non fournis) si nécessaire.
- Laissez au moins 15 cm d'espace autour de l'appareil pour la ventilation durant l'utilisation.
- **Attention!** Placez fermement le cordon d'alimentation, si nécessaire, afin d'éviter une traction ou un contact involontaire avec la surface chaude.
- Ne pas laver l'appareil avec de l'eau ou un jet d'eau. Le lavage à l'eau peut causer des fuites et augmenter le risque de choc électrique. Aucune pièce ne peut passer au lave-vaisselle.
- Ne pas nettoyer ou stocker l'appareil, à moins qu'il ne soit complètement refroidi.
- Ne pas déplacer l'appareil pendant le fonctionnement. Débranchez l'appareil lorsqu'il est en marche et tenez-le par le bas.
- Soyez particulièrement vigilant lorsque vous déplacez ou transportez l'appareil car il est très lourd. Au moins 2 personnes ou l'utilisation d'un chariot pour l'assistance. Déplacer la machine lentement, avec soin et ne jamais incliner à plus de 45°.

Destination de l'appareil

- L'appareil est destiné à un usage professionnel et ne doit être utilisé que par du personnel qualifié.
- L'appareil est conçu uniquement pour trancher des aliments, par ex. viande, fromage, pain, etc. L'utilisation de l'appareil à d'autres fins peut entraîner des dommages ou des blessures.
- L'utilisation de l'appareil à d'autres fins sera considérée comme une utilisation inappropriée. L'utilisateur sera seul responsable de l'utilisation incorrecte de l'appareil.

Mise à la terre

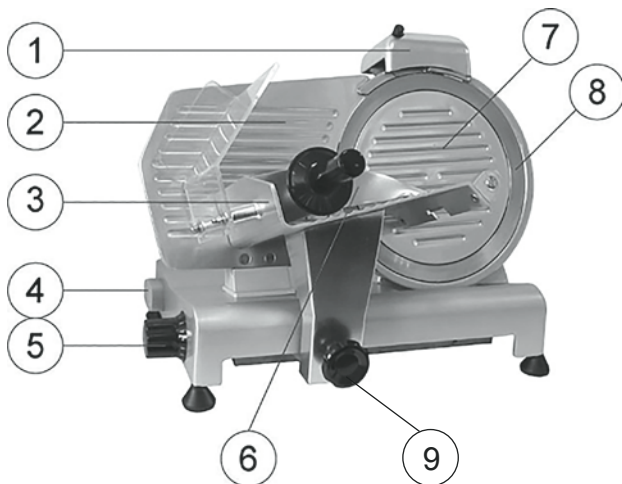
Le four est un appareil de la 1ère classe de protection et doit être obligatoirement mis à la terre. La mise à la terre réduit le risque de choc électrique grâce à un conduit évacuant le courant électrique.

L'appareil est équipé d'un conduit avec la mise à la terre et la prise de terre. N'insérez pas la fiche à la prise murale si l'appareil n'a pas été correctement installé et mis à la terre.



Principales pièces de l'appareil

- 1 Affûteuse de lame
- 2 Plaque d'appui
- 3 Chariot
- 4 Bouton marche/arrêt
[Blanc (I): ON; Noir (O): OFF]
- 5 Bouton de réglage d'épaisseur de tranche
- 6 Equerre de maintien du produit
- 7 Plaque couvre-lame
- 8 Lame
- 9 Verrou de chariot
- 10 Boulon de protecteur de lame (non affiché)



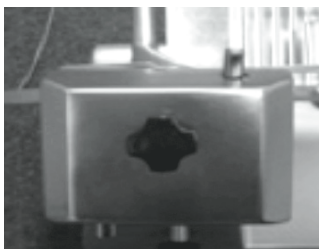
Préparation avant la première utilisation

- Vérifiez que toutes les pièces sont livrées avec l'appareil. S'il vous manque un élément, prenez contact avec votre fournisseur.
- Enlevez tout le matériel d'emballage.
- Vérifier intégralement l'appareil et les dommages liés au transport. En cas de livraison incomplète ou de dommage, contacter immédiatement le fournisseur. NE PAS utiliser l'appareil. (Voir ==> Garantie).
- Nettoyez la lame. Soyez très prudent : la lame est très tranchante. (Utiliser des gants si nécessaire, non inclus)
- Veillez à ce qu'un espace libre d'au moins 10 cm demeure autour de l'appareil pour des raisons de ventilation.
- Installez l'appareil en veillant à ce que la prise de courant demeure accessible à tout moment.
- Si le dispositif d'aiguisage n'est pas monté, procédez de la façon suivante :

FR



1. Vue de dessus de l'appareil



2. Positionnez le module d'aiguisage de sorte que la lame ne soit pas placée entre les petites meules

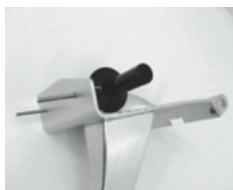


3. Fixez le dispositif d'aiguisage sur l'appareil en serrant la molette de fixation. Contrôlez que le dispositif d'aiguisage est bien fixé avant d'utiliser l'appareil.

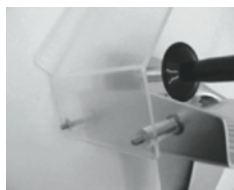
ATTENTION ! Le dispositif d'aiguisage est équipé d'un interrupteur de sécurité. Si le dispositif d'aiguisage n'est pas installé, vous ne pourrez pas mettre l'appareil en marche



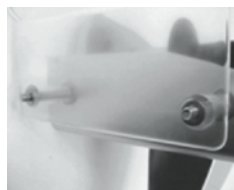
- Montez la plaque de protection



1. Insérez les deux vis dans le chariot



2. Placez la plaque de protection



3. Placez les deux rondelles de blocage



4. Serrez les deux écrous à chapeau

ATTENTION: il est déconseillé d'utiliser l'appareil si celui-ci n'est pas équipé de la plaque de protection et des pieds montés correctement ! Ce sont des accessoires de sécurité qui protègent contre les blessures possibles. Si vous ne montez pas ces accessoires, il existe un risque de blessure pour l'utilisateur.

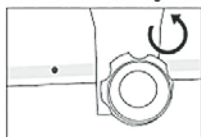
Mode d'emploi

- Placez la machine de façon à ce que le bouton marche/arrêt soit face à l'utilisateur.
- Si l'affûteuse n'est pas installée, procéder de la façon suivante :
 - Placez l'affûteuse dans son support en veillant à ce que la lame ne tourne pas entre les affiloirs.
 - Serrez la vis de sécurité de l'affûteuse.
 - ATTENTION ! Utilisation sans l'équipement de meulage est dangereux ! HENDI vous conseille que vous utilisez la machine seulement avec équipement monté
- Branchez la fiche dans la prise murale.
- Ajustez l'épaisseur de tranche désirée en tournant le bouton gradué.
- Allumez l'appareil en appuyant sur le bouton "Blanc (I)" de l'interrupteur ON/OFF.
- Placez l'aliment à trancher sur le chariot. Bloquez le produit avec l'équerre de maintien. Veillez à ce que le produit repose sur la plaque d'appui.
- Après le tranchage du produit, éteignez l'appareil en appuyant sur le bouton "Noir (O)" de l'interrupteur ON/OFF.
- Remettez le bouton de réglage d'épaisseur en position "0".

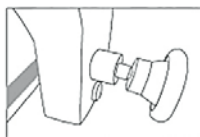
FR

Verrouiller

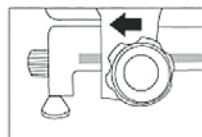
① Tournez le bouton pour régler l'épaisseur dans le sens contraire des aiguilles d'une montre



② Tournez jusqu'à ce que le bouton s'est desserré

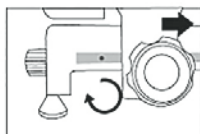


③ Poussez le chariot à gauche. Maintenant, la trancheuse doit être verrouillée



Déverrouiller

④ Tournez le bouton pour régler l'épaisseur dans le sens des aiguilles d'une montre pour déverrouiller la trancheuse.



Affûtage de la lame

À effectuer lorsque la lame est émoussée. Il faut noter que la lame est en matériau à très haute résistance. Lorsqu'elle est utilisée régulièrement et correctement, elle ne nécessite donc d'être affûtée qu'une fois par an.

- Débranchez la fiche de la prise murale.
- Mettez le bouton de réglage d'épaisseur sur "0"
- Nettoyez la lame.
- Desserrez le bouton de sûreté de l'affûteuse.
- Tirez l'affûteuse vers le haut et faites-la pivoter à 180°.
- Laissez redescendre l'affûteuse jusqu'à ce le dispositif de verrouillage s'enclenche.
- Fixez l'affûteuse en serrant le bouton de sûreté.
- Mettez la machine en marche. La lame se met à tourner.
- Appuyez sur le bouton pour que l'affiloir incliné vienne au contact de la lame et maintenez l'affiloir dans cette position pendant 2 minutes. L'affiloir doit tourner avec la lame.

- Appuyez sur le bouton pour que l'affiloir vertical vienne au contact de la lame un court instant afin d'enlever les bavures produites par l'affûtage. L'affiloir doit tourner avec la lame.
- Arrêtez la machine et débranchez la prise électrique.
- Desserrez le bouton de sûreté de l'affûteuse et nettoyez les affiloirs avec de l'alcool.
- Remettez l'affûteuse dans sa position d'origine sur la machine et serrez le bouton de sûreté. La lame ne doit pas tourner entre les affiloirs.
- Immergez dans de l'eau chaude, au savon doux durant plusieurs minutes. Rincez et séchez complètement.
- Branchez dans la prise électrique murale. Manipulez avec grand soin.
- La machine est de nouveau prête à l'emploi.

Nettoyage et entretien

- Attention: Débranchez toujours l'appareil d'une prise électrique et laissez-le refroidir complètement avant le nettoyage et le stockage et réglez le bouton de l'épaisseur des tranches sur la position "0".
- Nettoyez l'appareil après chaque utilisation.
- Attention : Ne plongez jamais l'appareil dans l'eau ou dans tout autre liquide !
- Nettoyez l'extérieur de la machine avec un chiffon humide (eau avec détergent doux).
- N'utilisez jamais de détergent agressif ni de poudre à récurer. N'utilisez jamais d'objet tranchant ou pointu. N'utilisez jamais d'essence ou de solvant ! Nettoyez toujours avec un chiffon humide et éventuellement un peu de liquide vaisselle, mais n'employez jamais de produit abrasif.

- Immergez dans de l'eau chaude, au savon doux durant plusieurs minutes. Rincez et séchez complètement.
- Manipulez avec grand soin.
- Si le chariot se déplace avec difficulté, couchez la trancheuse sur le flanc. Nettoyez avec précaution la barre coulissante et lubrifiez-la avec de la vaseline.

Stockage

- Avant le stockage, veillez systématiquement à ce que l'appareil soit déjà débranché d'une prise électrique et complètement refroidi.
- Stockez l'appareil dans un endroit frais, propre et sec.

Résolution des problèmes

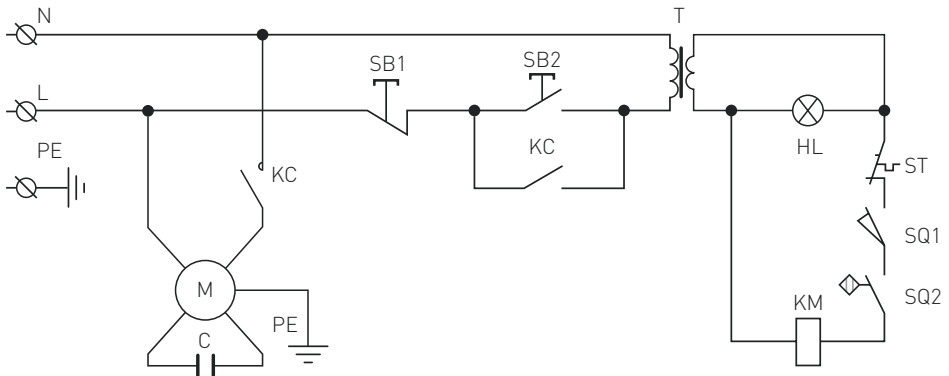
Si l'appareil ne fonctionne pas correctement, reportez-vous au tableau ci-dessous pour y trouver une solution. Si vous n'arrivez toujours pas à résoudre le problème, contactez votre distributeur/fournisseur

Problème	Cause possible	Solution
L'appareil ne tranche pas uniformément	Lame émoussée	Affûtez la lame
	Machine encrassée	Nettoyez la machine
La machine interrompt le tranchage	Moteur trop chaud	Laissez la machine refroidir suffisamment. La protection thermique du moteur se réenclenche automatiquement.
Le chariot ne coulisse pas facilement	Barre coulissante encrassée	Nettoyez la barre coulissante et lubrifiez-la avec de la vaseline
	Les aliments n'adhèrent pas à la lame	Éteignez l'appareil & débranchez-le. Attendez l'arrêt complet. Éliminez toute obstruction. Essayez la lame à l'aide d'un chiffon humide.
Ostrze przestaje się obracać podczas krojenia produktu	Zużyty lub zabrudzony pasek napędowy	Contactez le fournisseur

Schéma de câblage pour 210000, 210017, 210031, 210048

FR

Tension d'entrée alternative: AC220-240V 50Hz



M : Moteur

T : Transformateur

C : Condensateur

PE : Mise à la terre de protection (Mise à la terre)

L : Sous tension

N : Neutre

SB1, SB2 : Interrupteur

KC : Relais

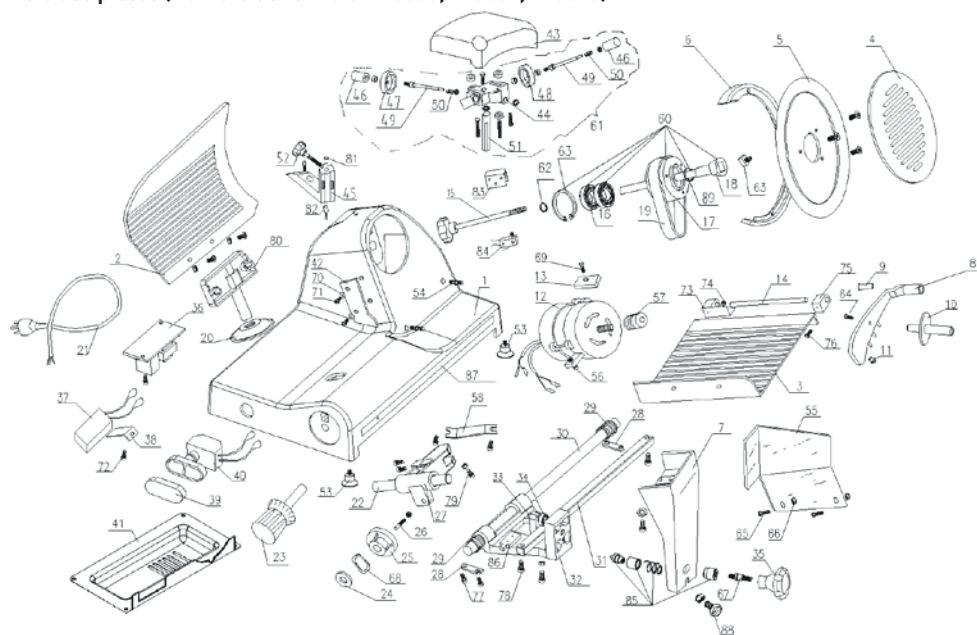
HL : Témoin indicateur

ST : Découpe thermique

SQ1, SQ2 : Micro-interrupteur



Liste des pièces (Numéro de l'article: 210000, 210031, 210048)



FR

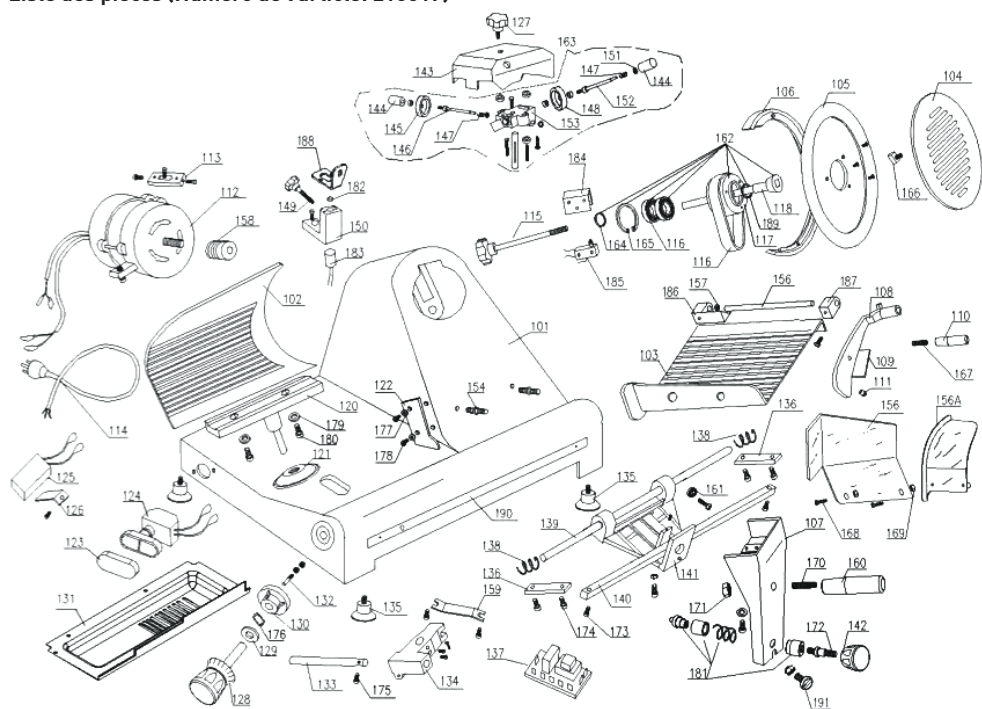
Numéro de la pièce	Nom de la pièce	Quantité	Numéro de la pièce	Nom de la pièce	Quantité
1	Enclos	1	17	Roue de courroie de la lame Ø66	1
2	Bardeau actif	1	18	Tige de la roue de courroie	1
3	Plateau pour aliments	1	19	Courroie SV.330	2
4	Disque de couvre-lame	1	20	Paillis glissant	1
5	Lame	1	21	Ligne électrique	1
6	Bague du couvre-lame	1	22	Coulissement de l'essieu	1
7	Support du plateau	1	23	Poignée à échelle	1
8	Alimentation et bras fixe	1	24	Joint à ressort	1
9	Bague à bras fixe	1	25	Came	1
10	Poignée à bras fixe	1	26	Bâton de raccord à cames	1
11	Granulé plastique	1	27	Glisseur	1
12	Moteur	1	28	Briquetage pour le coulissement de l'essieu	2
13	Briquetage du moteur	1	29	Ressort de l'essieu coulissant de la barre d'attelage	2
14	Tige à bras fixe Ø12x185	1	30	Essieu de la barre d'attelage	1
15	Boulons du couvre-lame	1	31	Axe quadrangulaire	1
16	Roulement à billes 6202	2	32	Barre d'attelage	1



Numéro de la pièce	Nom de la pièce	Quantité	Numéro de la pièce	Nom de la pièce	Quantité
33	Vis à tête hexagonale M8x35	1	62	Ø15 Joint à ressort pour le roulement	1
34	Roulement à billes 607	1	63	Ø15 Joint à ressort pour le roulement	1
35	Bouton du couvercle de la barre d'attelage	1	64	Écrou à tête carrée du disque du couvre-lame	1
36	Relais	1	65	Boulon de la poignée à bras fixe	1
37	Condensateur	1	66	Boulon de chicane en forme de doigt	2
38	Arrêteur du condensateur	1	67	Écrou de chicane en forme de doigt	2
39	Paillis du bouton	1	68	Boulon du bouton de support	1
40	Interrupteur à bouton	1	69	Sous support de ressort	1
41	Carte mère	1	70	Boulon visé par le moteur	1
42	Racleur de viande	1	71	Cale de raclage de la viande	2
43	Paillis de l'affûteur	1	72	Boulon du racleur de viande	2
44	Base de l'affûteur du sous-ensemble	1	73	Boulon de serrage du condensateur	1
45	Base d'affûtage du montage	1	74	Couvercle du plateau A	1
46	Bouton d'affûtage	2	75	Support de planche pour la viande	1
47	Disque de meulage fin Ø45	1	76	Couvercle du plateau B	1
48	Disque de meulage brut Ø45	1	77	Vis cruciforme à tête fraisée M6x12	2
49	Tige pour le frottement de la pierre	2	78	Boulon de briquetage de l'essieu coulissant	4
50	Ressort	2	79	Vis de serrage de l'axe quadrangulaire	2
51	Tige du support d'affûtage	1	80	Boulon de réglage du glisseur	1
52	Bouton de serrage de l'affûteur	1	81	Aimant	1
53	Mandrin à bardeaux actif	1	82	Interrupteur magnétique	1
54	Pied en caoutchouc	4	83	Bloc en aluminium	1
55	Tige de la bague du couvre-lame	2	84	Micro-interrupteur	1
56	Planche de blocage de la viande	1	85	Verrou en acier inoxydable	1
57	Coulissement du support de l'essieu	2	86	Bloc restreint	1
58	Petite roue de courroie du moteur	1	87	Barre en acier inoxydable	1
59	Commande de glissement	1	88	Vis de réglage du support du plateau	1
60	Réglage de la roue de courroie	1	89	Joint d'huile	1
61	Réglage de l'affûteur	1			



Liste des pièces (Numéro de l'article: 210017)



FR

Numéro de la pièce	Nom de la pièce	Quantité	Numéro de la pièce	Nom de la pièce	Quantité
101	Enclos	1	117	Roue de courroie	1
102	Bardeau actif	1	118	Tige de la roue de courroie	1
103	Plateau pour aliments	1	119	Courroie SV.400	2
104	Disque de la lame de protection	1	120	Base de support	1
105	lame	1	121	Gaine de câble	1
106	Bague du couvre-lame	1	122	Limite du racler	1
107	Support du plateau	1	123	Paillis du bouton	1
108	Bras fixe pour aliments	1	124	Interrupteur à bouton	1
109	Bague à bras fixe	1	125	Condensateur	1
110	Poignée	1	126	Arrêteur du condensateur	1
111	Granulé plastique	1	127	Vis du bâton adapté	1
112	Moteur	1	128	Poignée à échelle	1
113	Briquetage du moteur	1	129	Joint à ressort	1
114	Ligne électrique	1	130	Came 300	1
115	Boulons du couvre-lame	1	131	Carte mère	1
116	Essieu coulissant 6204	2	132	Tige de raccord à cames	1



Numéro de la pièce	Nom de la pièce	Quantité	Numéro de la pièce	Nom de la pièce	Quantité
133	Essieu coulissant	1	163	Réglage de l'affûteur	1
134	Glisseur	1	164	Joint à ressort Ø 20 pour le palier	1
135	Pied en caoutchouc	4	165	Ø 47 Joint à ressort du trou	1
136	Briquetage de l'essieu coulissant	2	166	Écrou à tête carrée du disque du couvre-lame	1
137	Relais	1	167	Boulon de la poignée à bras fixe	1
138	Ressort de l'essieu coulissant	2	168	Boulon de chicane en forme de doigt	2
139	Essieu coulissant de la barre d'attelage	1	169	Écrou de chicane en forme de doigt	2
140	Axe quadrangulaire	1	170	Boulon du bouton de support	1
141	Barre d'attelage	1	171	Écrou du bouton de support	1
142	Bouton de la barre d'attelage	1	172	Boulon de support inférieur	1
143	Pailles de l'affûteur	1	173	Vis de serrage de l'axe quadrangulaire	2
144	Bouton	2	174	Boulon de briquetage de l'essieu coulissant	4
145	Disque de meulage fin Ø45	1	175	Boulon de l'essieu coulissant	1
146	Tige de la roue de nettoyage de la bavure	2	176	Ø 12 Sous le joint à ressort	1
147	Ressort de la route de nettoyage de la bavure	2	177	Cale de raclage de la viande	2
148	Disque de meulage brut Ø45	2	178	Boulon du racleur de viande	1
149	Bouton de serrage de l'affûteur	1	179	Cale du palier du point d'appui	2
150	Base de support de la bague extérieure	1	180	Boulon de palier	2
151	Ø 4.751 Roue	1	181	Verrou en acier inoxydable	1
152	Tige pour le frottement de la pierre	1	182	Aimant	1
153	Base de l'affûteur du sous-ensemble	1	183	Interrupteur magnétique	1
154	tige de la bague du couvre-lame	2	184	Bloc restreint	1
155	Tige du plateau des aliments	1	185	Micro-interrupteur	1
156/156A	Planche de blocage de la viande	1	186	Couvercle du plateau A	1
157	Support de l'essieu coulissant	1	187	Couvercle du plateau B	1
158	Petite roue de courroie du moteur	1	188	Cale du palier du point d'appui	1
159	Roue de transmission coulissante	1	189	Joint d'huile	1
160	Poignée de la barre d'attelage	1	190	Barre en acier inoxydable	1
161	Essieu coulissant 608	1	191	Vis de réglage du support du plateau	1
162	Réglage de la roue de courroie	1			



Garantie

Tout vice ou toute défaillance entraînant un dysfonctionnement de l'appareil qui se déclare dans les 12 mois suivant la date de l'achat sera éliminé à titre gratuit ou l'appareil sera remplacé par un appareil nouveau si le premier a été dûment exploité et entretenu conformément aux termes de la notice d'exploitation et s'il n'a pas été indûment exploité ou de manière non conforme à sa destination. La présente stipulation ne porte pas de préjudice aux autres droits de l'utilisateur prévus par les dispositions légales. Dans le cas où l'appareil est donné à la réparation ou doit être remplacé

dans le cadre de la garantie, il y a lieu de spécifier le lieu et la date de l'achat de l'appareil et produire un justificatif nécessaire (par ex. facture ou ticket de caisse).

Conformément à notre politique d'amélioration permanente de nos produits, nous nous réservons le droit d'introduire sans avertissement préalable des modifications à l'appareil, à l'emballage et aux caractéristiques techniques précisées dans la documentation.

Élimination et protection de l'environnement

En cas de retrait du produit de l'exploitation l'appareil ne peut pas être jeté avec d'autres déchets ménagers. L'utilisateur est responsable de la remise de l'équipement au point de collecte approprié pour l'équipement usagé. Le non-respect des dispositions ci-dessus peut entraîner les pénalités conformément à la réglementation applicable en matière d'élimination des déchets. La collecte sélective et le recyclage des équipements usagés contribuent à la conservation des ressources na-

tuelles et assurent un recyclage sans danger pour la santé et l'environnement. Pour plus d'informations sur les endroits de collecte des équipements usagés pour le recyclage, contactez la société de collecte des déchets locale. Le producteur et l'importateur ne sont pas responsables du recyclage et du traitement des déchets d'une manière respectueuse de l'environnement directement et dans le système public.

Gentile cliente,

grazie per aver acquistato questo apparecchio Hendi. Ti invitiamo a leggere queste istruzioni per l'uso con attenzione prima di collegare l'apparecchio al fine di evitare danni dovuti a uso improprio. Ti invitiamo inoltre a prestare particolare attenzione alle precauzioni di sicurezza.

Precauzioni di sicurezza


- L'uso scorretto e improprio dell'apparecchio possono danneggiare seriamente l'apparecchio e ferire gli utenti.
- Questo dispositivo è destinato esclusivamente per uso commerciale e non può essere utilizzato per uso domestico.
- L'apparecchio può essere utilizzato solo per lo scopo per cui è stato concepito e progettato. Il produttore non è responsabile di eventuali danni provocati da uso scorretto ed improprio.
- Tenere l'apparecchio e la spina elettrica lontani da acqua ed altri liquidi. Nel caso improbabile che l'apparecchio cada in acqua, staccare immediatamente la spina dalla presa e fare ispezionare l'apparecchio da un tecnico certificato. L'inosservanza delle presenti istruzioni può dare luogo a situazioni pericolose
- Non provare mai ad aprire l'involucro dell'apparecchio da soli.
- Non inserire oggetti nell'involucro dell'apparecchio.
- Non toccare la presa con le mani bagnate o umide.
- **Pericoli di scosse elettriche!** Non tentare di riparare l'apparecchio da solo. Eventuali difetti e malfunzionamenti devono essere rimossi solo da personale qualificato.
- **Non usare l'apparecchio danneggiato!** L'apparecchio difettoso deve essere immediatamente scollegato dalla rete e contattare il rivenditore.
- **Attenzione:** Non immergere parti elettriche in acqua o altri liquidi. Non mettere l'apparecchio sotto l'acqua corrente.
- Controllare regolarmente se la spina e il cavo di alimentazione non sono danneggiati. La spina o il cavo danneggiati trasmettere al servizio o alla persona qualificare per riparare, per evitare eventuali pericoli e lesioni.
- Assicurarsi che il cavo di alimentazione non è in contatto con oggetti appuntiti o caldi. Tenere il cavo lontano da fiamme libere. Per scollegare la spina dalla presa, tirare sempre la spina, mai il cavo.
- Proteggere il cavo di alimentazione (o di estensione) per la sconnessione accidentale dalla presa. Disporre il cavo in modo per evitare lo slittamento accidentale.
- Sorvegliare l'apparecchio continuamente durante l'uso.
- **Attenzione!** Se la spina è inserita nella presa, l'apparecchio è considerato come collegato.
- Prima di rimuovere la spina dalla presa, spegnere l'apparecchio!
- Non trasportare l'apparecchio tenendo il cavo di alimentazione.
- Non utilizzare qualsiasi accessorio che non è stato fornito con l'apparecchio.
- L'apparecchio deve essere collegato ad una presa con tensione e frequenza indicate sulla targhetta.

IT



- Inserire la spina nella presa situata in un punto facilmente accessibile in modo che in caso di guasto sia possibile scollegare immediatamente l'apparecchio. Per spegnere completamente l'apparecchio, scollegarlo dalla presa di corrente. Per questo staccare la spina che si trova sull'estremità del cavo di alimentazione.
- Prima di scollegare la spina, ricordarsi sempre di spegnere l'apparecchio!
- Non usare gli accessori non raccomandati dal produttore. L'uso di accessori non raccomandati può creare i rischi per l'utente e provocare i danni all'apparecchio. Usare unicamente solo pezzi ed accessori originali.
- L'installazione elettrica deve soddisfare le normative nazionali e locali applicabili. Questo apparecchio non è destinato all'uso da parte di persone (inclusi i bambini) con capacità fisiche, sensoriali o mentali ridotte, o senza esperienza e conoscenza.
- Non permettere ai bambini di utilizzare l'apparecchio.
- Tenere l'apparecchio con il cavo fuori dalla portata dei bambini.
- Non permettere ai bambini di giocare con l'apparecchio.
- Scollegare l'apparecchio dalla rete se esso deve essere lasciato incustodito e prima del montaggio, dello smontaggio o della pulizia.
- Non lasciare l'apparecchio incustodito durante l'utilizzazione.

Regole di sicurezza particolari

- Questo apparecchio è una macchina per la lavorazione di cibi a livello commerciale ed è destinata esclusivamente al taglio di prodotti alimentari, come ad esempio carne, formaggio, salsicce, pane, ecc. Il cibo da affettare dev'essere scongelato, disimballato e privato delle ossa prima di essere trattato. Qualsiasi altro utilizzo può provocare danni al dispositivo o lesioni personali.
- Questo dispositivo non deve essere utilizzato per tagliare o affettare cibi congelati, carni con ossa, pesce o prodotti non alimentari, ecc.
- Utilizzare il dispositivo solo come descritto in questo manuale.
- Questo dispositivo deve essere maneggiato da personale specializzato nella cucina di ristoranti e mense o da personale di bar, ecc.
- Non appoggiare l'apparecchio su una fonte di calore (piani cottura a gas, elettrici, a carbone, ecc.). Tenere il dispositivo lontano da superfici calde e fiamme libere. Azionare sempre il dispositivo su una superficie piana, stabile, pulita, resistente al calore e asciutta.
- Questo dispositivo non è destinato a essere azionato attraverso un timer esterno o telecomando separato.
-  Un terminale di collegamento equipotenziale è previsto per consentire il collegamento ad altre apparecchiature.
- Mai ignorare gli eventuali interblocchi di sicurezza del dispositivo.
- **AVVERTENZA:** Tenere tutte le aperture di ventilazione del dispositivo libere da ostacoli.
- **AVVERTENZA:** Spegnere **SEMPRE** il dispositivo e scollegarlo dall'alimentazione elettrica prima di eseguire le operazioni di pulizia, manutenzione o stoccaggio.
- **AVVERTENZA:** Tenere **SEMPRE** mani, capelli e abiti lontano dalle parti in movimento.

- **AVVERTENZA:** Prestare molta attenzione quando si maneggiano le lame. Se necessario, indossare guanti di protezione (non in dotazione).
- Lasciare almeno 15 cm di distanza intorno al dispositivo per facilitare la ventilazione durante l'uso.
- Attenzione! Far scorrere in modo sicuro il cavo di alimentazione, se necessario, al fine di evitare accidentali trazioni o il contatto con una fonte di calore.
- Non lavare il dispositivo con acqua o con getto d'acqua. Il lavaggio con acqua può causare delle perdite e aumentare il rischio di scosse elettriche. Non ci sono parti lavabili in lavastoviglie.
- Non pulire o conservare il dispositivo a meno che non sia completamente raffreddato.
- Non spostare il dispositivo mentre è in funzione. Scollegare il dispositivo dall'alimentazione elettrica quando viene spostato e afferrarlo alla base.
- Prestare particolare attenzione durante lo spostamento o il trasporto a causa del peso notevole. Effettuarlo con almeno 2 persone o utilizzando un carrello. Spostare la macchina lentamente e con cautela e mai inclinata oltre 45°.

Destinazione del dispositivo

- Il dispositivo è destinato all'uso professionale e deve essere utilizzato esclusivamente da personale qualificato.
- Questa apparecchiatura è ideata solo per affettare alimenti, ad esempio carni, formaggio, pane, ecc. L'uso del dispositivo per qualsiasi altro scopo può causare danni o lesioni.
- L'uso del dispositivo per qualsiasi altro scopo sarà considerato un uso improprio. L'utente sarà l'unico responsabile per l'uso scorretto del dispositivo.

Messa a terra

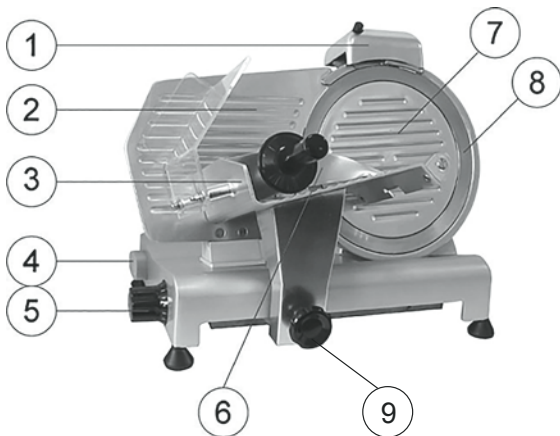
Il forno è l'apparecchio della I classe di protezione e deve essere messo a terra.

La messa a terra riduce il rischio di scosse elettriche grazie al cavo evacuante il corrente elettrico.

L'apparecchio è dotato di un cavo con una messa a terra. Non inserire la spina nella presa di corrente se l'apparecchio non è stato correttamente installato o messo a terra.

Parti principali del dispositivo

- 1 Affilatrice per lama
- 2 Piastra di arresto
- 3 Carrello
- 4 Interruttore di accensione/spengimento on/off
[Bianco (I): ON; Nero (O): OFF]
- 5 Quadrante spessore
- 6 Morsa prodotto
- 7 Protezione lama
- 8 Lama
- 9 Blocco del carrello
- 10 Bullone protezione lama
(non visualizzato)

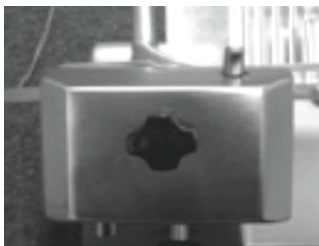


Preparazione prima del primo utilizzo

- Verificare che non manchi alcuna parte. In caso qualche parte sia mancante, contattare il proprio fornitore.
- Rimuovere tutto il materiale d'imballaggio.
- Controllare che il dispositivo sia completo e non abbia subito danni durante il trasporto. In caso di consegna incompleta o danni, contattare immediatamente il fornitore e **NON** utilizzare il dispositivo. (Vedi ==> Garanzia).
- Pulire la lama. Prestare attenzione dato che la lama è molto affilata. (Se necessario, utilizzare guanti, non in dotazione).
- Mantenere uno spazio libero di almeno 10 cm intorno all'apparecchio per consentire una ventilazione adeguata.
- Collocare l'apparecchio in modo tale che la spina sia sempre accessibile.
- Se il dispositivo di affilatura non è collegato, procedere nel modo seguente:



1. Vista dall'alto dell'apparecchio



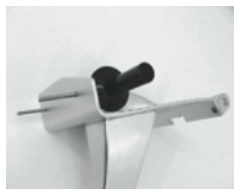
2. Collegare il modulo di affilatura in modo tale che la lama non si muova tra i dischi



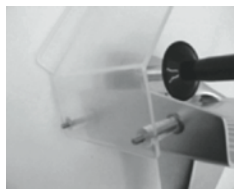
3. Fissare il dispositivo di affilatura alla macchina serrando il supporto. Accertarsi che il dispositivo di affilatura sia saldamente fissato prima di utilizzare la macchina.

NOTA! Il dispositivo di affilatura è dotato d'interruttore di sicurezza. Se il dispositivo di affilatura non è collegato correttamente, non sarà possibile utilizzare l'apparecchio.

- Collegare la protezione per le mani.



1. Inserire entrambe le viti nel carrello.



2. Collegare la protezione per le mani.



3. Inserire le due rondelle sui bulloni.



4. Avvitare in sede i due dadi della cupola.

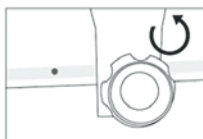
NOTA! Si raccomanda di non utilizzare l'apparecchio se la protezione per le mani non è collegata secondo le istruzioni! Le presenti istruzioni di sicurezza servono a prevenire eventuali lesioni. Se non si collegano i suddetti elementi funzionali, esiste il pericolo di lesioni.

Istruzioni d'uso

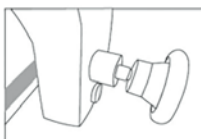
- Collocare l'apparecchio in modo che l'interruttore di accensione/spengimento (on/off) sia rivolto verso l'utente.
- Se l'affilatrice della lama non è stato installato, procedere nel modo seguente:
 - Collocare l'affilatrice per lama nel proprio supporto in modo che la lama non si estenda tra gli ingranaggi.
 - Serrare la vite di sicurezza sull'affilatrice per lama.
 - Nota! L'apparecchio è dotato di interruttore di sicurezza e si spegnerà automaticamente se il dispositivo di affilatura viene rimosso.
- Inserire la spina nella presa a muro.
- Portare il quadrante con la scala graduata sullo spessore desiderato.
- Accendete il dispositivo premendo il tasto "BIANCO (I)" dell'interruttore ON/OFF.
- Collocare il prodotto alimentare sul carrello e regolare la morsa per tenere il prodotto saldamente in posizione. Accertarsi che il prodotto sia collocato contro la piastra di arresto.
- Una volta che il prodotto è stato affettato, spegnere premendo il tasto "NERO (O)" dell'interruttore ON/OFF.
- Riportare a "0" il quadrante dello spessore.

Come bloccare l'affettatrice:

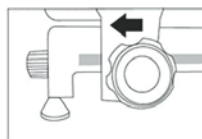
- ① Ruotare la manopola in direzione antioraria



- ② Continuare a ruotare la manopola finché si allenti **COMPLETAMENTE**

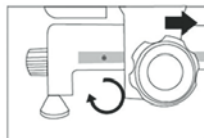


- ③ Spostare il carrello nella posizione corretta, l'affettatrice si bloccherà automaticamente



Come sbloccare l'affettatrice

- ① Ruotare la manopola in direzione oraria per sbloccare l'affettatrice. La manopola deve ruotare **COMPLETAMENTE** per serrare il carrello



Affilare la lama

Affilare la lama quando perde l'affilatura. La lama è estremamente resistente all'usura. Se utilizzata regolarmente e correttamente, deve solo essere affilata una volta all'anno.

- Estrarre la spina dalla presa a muro.
- Portare a "0" il quadrante dello spessore
- Pulire la lama.
- Svitare la manopola di blocco dell'affilatrice.
- Sollevare l'affilatrice dal dispositivo di blocco e ruotarla di 180°.
- Entrambi i lati della lama devono presentare 1 pietra di affilatura.
- Abbassare l'affilatrice finché si reinserisca nel dispositivo di blocco.
- Fissare l'affilatrice in sede serrando la manopola di blocco.
- Accendere l'apparecchio. La lama inizierà a ruotare.
- Utilizzare il pulsante per premere la pietra di affilatura obliqua contro la lama e tenerla in tale posizione per 2 minuti. La pietra di affilatura deve ruotare insieme alla lama.

- Utilizzare il pulsante per premere la pietra di affilatura verticale brevemente contro la lama per rimuovere le bave. La pietra di affilatura deve ruotare insieme alla lama.
- Spegner l'apparecchio ed estrarre la spina della presa a muro.
- Svitare la manopola di blocco dell'affilatrice e pulire le pietre di affilatura con alcol.
- Ricollocare l'affilatrice nella sua posizione originale sull'apparecchio e serrare la manopola di blocco per fissarla in posizione. La lama non deve estendersi tra le pietre di affilatura.
- Immergere in acqua calda e leggermente insaponata per diversi minuti. Sciacquare e asciugare completamente.
- Inserire la spina nella presa di corrente. Maneggiare con molta cura.
- L'apparecchio è pronto all'uso.

IT

Pulizia e manutenzione

- Attenzione: Scollegare sempre il dispositivo dalla presa di alimentazione elettrica e lasciarlo raffreddare completamente prima di procedere a pulirlo e riportarlo e impostare la manopola di regolazione dello spessore della fetta in posizione "0".
- Pulire il dispositivo dopo ogni utilizzo.
- Attenzione: Non immergere mai l'apparecchio in acqua o altri liquidi!
- Utilizzare un panno umido per pulire le superfici (soluzione di acqua e di un agente pulente delicato).

- Non usare mai agenti pulenti corrosivi o abrasivi. Non utilizzare oggetti affilati o appuntiti per la pulizia. Non utilizzare benzene o solventi! Pulire con un panno umido. Utilizzare se necessario detersivo liquido per i piatti ma mai agenti pulenti abrasivi.
- Immergere in acqua calda e leggermente insaponata per diversi minuti. Sciacquare e asciugare completamente.
- Maneggiare con molta cura.
- Se il carrello porta cibo non scorre più agevolmente, poggiare la macchina sul proprio lato. Pulire con cura la barra di scorrimento e lubrificarla con vaselina.

Conservazione

- Prima di riporre il dispositivo, accertarsi sempre che sia stato scollegato dalla presa elettrica e si sia raffreddato completamente.
- Conservare il dispositivo in un luogo fresco, pulito e asciutto.



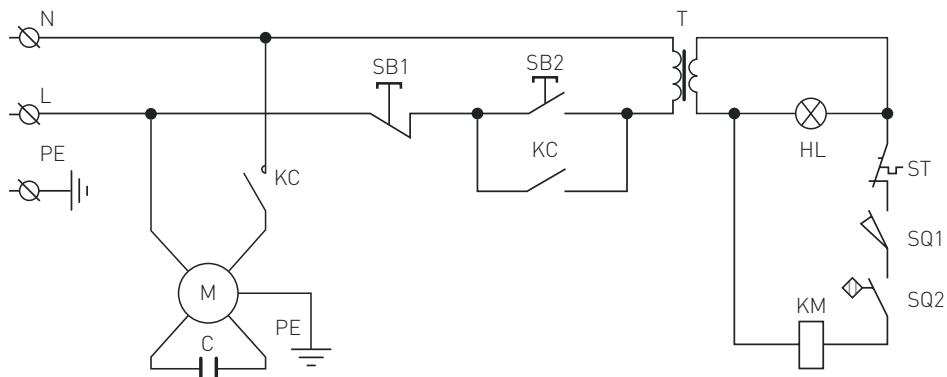
Risoluzione dei problemi

Se l'apparecchio non funziona correttamente, si prega di controllare la tabella seguente per la soluzione. Se non si è ancora in grado di risolvere il problema, contattare il fornitore/centro assistenza.

Problema	Causa possibile	Soluzione
Il dispositivo non affetta in modo uniforme	Lama non affilata	Affilare la lama
	Apparecchio sporco	Pulire l'apparecchio
L'apparecchio cessa di affettare	Motore surriscaldato	Lasciar raffreddare la macchina per un periodo prolungato. Il termostato di sicurezza del motore si ripristinerà automaticamente.
Il carrello non scorre	Barra di scorrimento sporca	Pulire la barra di scorrimento e lubrificare con vaselina
	Alcuni alimenti si attaccano alla lama	Spegnere il dispositivo e scolgarlo dalla presa di corrente. Aspettare che sia completamente fermo. Rimuovere eventuali ostruzioni. Pulire la lama con un panno umido.
La lama si arresta quando si taglia il prodotto	Cinghia a v usurata o sporca	Contattare il fornitore

Schema elettrico per 210000, 210017, 210031, 210048

Tensione AC in ingresso: AC220-240V 50Hz



M : Motore

T : Trasformatore

C : Condensatore

PE : Messa a terra (massa)

L : Fase

N : Neutro

SB1, SB2 : Interruttore

KC : Relè

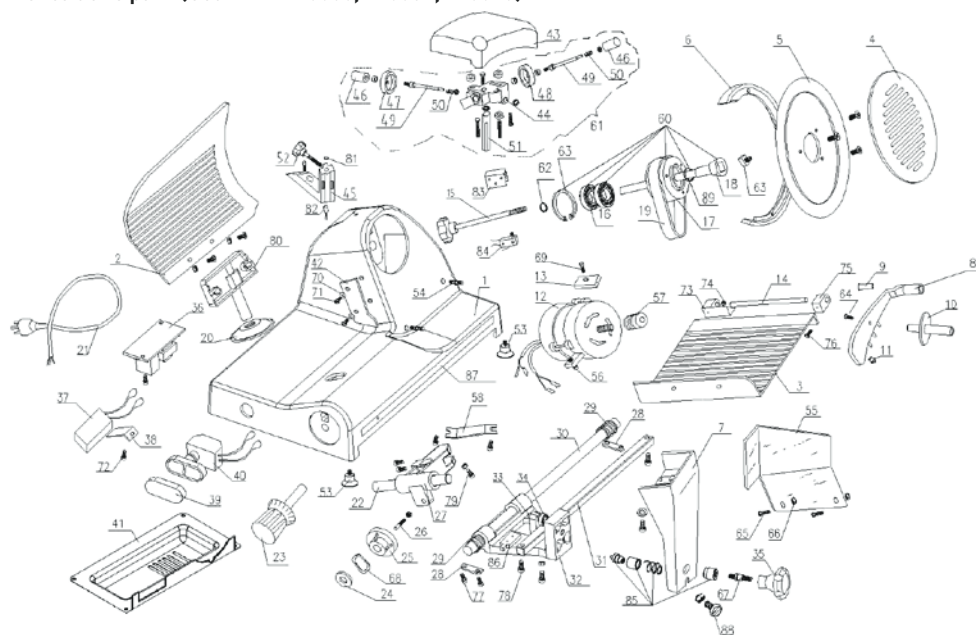
HL : Spia

ST : Interruttore magneto-termico

SQ1, SQ2 : Microinterruttore



Elenco delle parti (Cod. Art.: 210000, 210031, 210048)



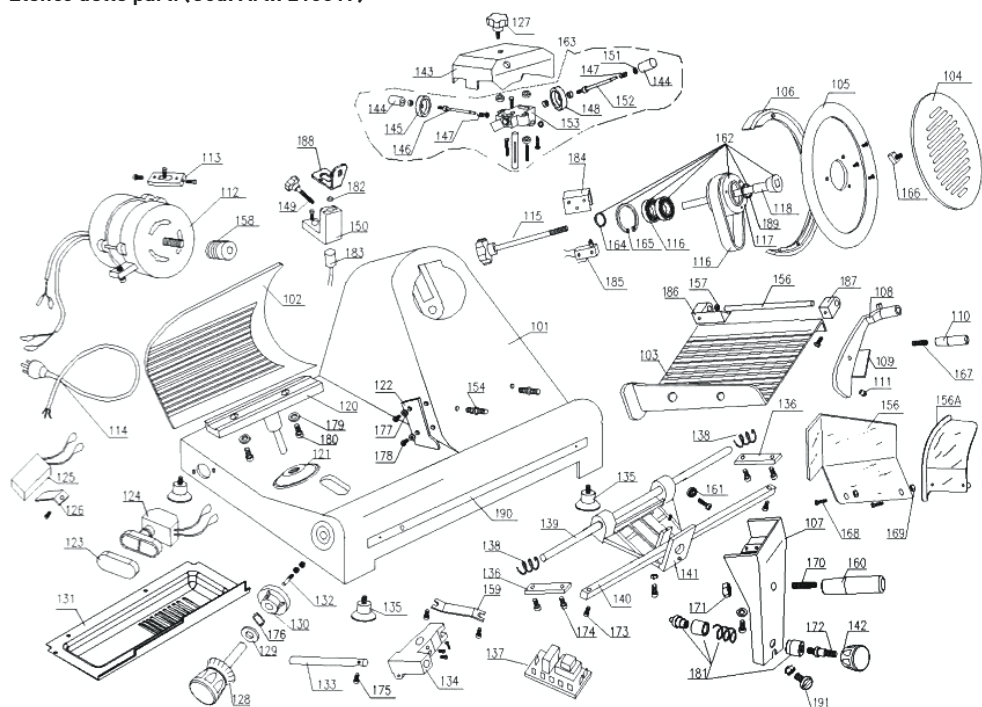
N. parte	Nome della parte	Quantità	Cod. Art.	Nome della parte	Quantità
1	Involucro	1	20	Sede supporto vela	1
2	Vela	1	21	Cavo di alimentazione	1
3	Vassoio per il cibo	1	22	Asse scorrevole	1
4	Disco di protezione della lama	1	23	Manopola zigrinata	1
5	Lama	1	24	Guarnizione a molla	1
6	Anello di protezione della lama	1	25	Camma	1
7	Staffa del vassoio	1	26	Corpo osculatore camma	1
8	Braccio blocca cibo	1	27	Scivolo	1
9	Boccola fissa braccio	1	28	Bricchetta asse scorrevole	2
10	Maniglia fissa braccio	1	29	Molla della staffa scorrevole di traino	2
11	Granulo plastico	1	30	Asse staffa traino	1
12	Motore	1	31	Asse perpendicolare	1
13	Bricchetta del motore	1	32	Staffa traino	1
14	Perno braccio fisso Ø12x185	1	33	Vite esagonale M8x35	1
15	Bulloni protezione lama	1	34	Cuscinetto a sfere 607	1
16	Cuscinetto a sfere 6202	2	35	Manopola copertura staffa traino	1
17	Ruota della cinghia della lama Ø66	1	36	Relè	1
18	Perno della ruota della cinghia	1	37	Condensatore	1
19	Cinghia SV.330	2	38	Fermo del condensatore	1



N. parte	Nome della parte	Quantità	N. parte	Nome della parte	Quantità
39	Chiusura pulsante	1	65	Bullone maniglia fissa braccio	1
40	Interruttore a pulsante	1	66	Bullone deflettore dito	2
41	Scheda madre	1	67	Dado deflettore dito	2
42	Raschia carne	1	68	Bullone manopola staffa	1
43	Sede affilalama	1	69	Guarnizione molla sottostante	1
44	Base del sottogruppo affilatore	1	70	Bullone inciso motore	1
45	Base dell'affilatore montato	1	71	Spessore raschia carne	2
46	Pulsante dell'affilatore	2	72	Bullone raschia carne	2
47	Ruota di affilatura fine Ø45	1	73	Bullone morsetto del condensatore	1
48	Ruota di affilatura grossolana Ø45	1	74	Copertura cuscinetto vassoio A	1
49	Perno della pietra di sfregamento	2	75	Cestino tavola per la carne	1
50	Molla	2	76	Copertura cuscinetto vassoio B	1
51	Perno della staffa affilatrice	1	77	Vite a testa incassata con intaglio a croce M6x12	2
52	Manopola serraggio affilatrice	1	78	Bullone bricchetta asse scorrevole	4
53	Piedino	1	79	Vite di fissaggio asse perpendicolare	2
54	Piedino in gomma	4	80	Bullone di regolazione scivolo	1
55	Perno dell'anello di protezione della lama	2	81	Magnete	1
56	Pannello di bloccaggio carne	1	82	Interruttore magnetico	1
57	Staffa asse scorrevole	2	83	Blocco di alluminio	1
58	Ruota piccola della cinghia del motore	1	84	Microinterruttore	1
59	Guida di scorrimento	1	85	Blocco di acciaio inossidabile	1
60	Impostazione ruota della cinghia	1	86	Blocco parziale	1
61	Impostazione affilatrice	1	87	Barra in acciaio inossidabile	1
62	Guarnizione a molla Ø15 per cuscinetto	1	88	Vite di fissaggio per la staffa del vassoio	1
63	Guarnizione a molla Ø15 per cuscinetto	1	89	Guarnizione di tenuta olio	1
64	Dado a testa quadra del disco di protezione della lama	1			



Elenco delle parti (Cod. Art.: 210017)



IT

N. parte	Nome della parte	Quantità	N. parte	Nome della parte	Quantità
101	Involucro	1	119	Cinghia SV.400	2
102	Vela	1	120	Base di supporto	1
103	Vassoio per il cibo	1	121	Rivestimento cavo	1
104	Protezioni della lama a disco	1	122	Raschia carne	1
105	Lama	1	123	Chiusura pulsante	1
106	Anello di protezione della lama	1	124	Interruttore a pulsante	1
107	Staffa del vassoio	1	125	Condensatore	1
108	Braccio blocca cibo	1	126	Fermo del condensatore	1
109	Boccola fissa braccio	1	127	Vite della staffa orientabile	1
110	Maniglia	1	128	Manopola zigrinata	1
111	Granulo plastico	1	129	Guarnizione a molla	1
112	Motore	1	130	Camma 300	1
113	Bricchetta motore	1	131	Scheda madre	1
114	Cavo di alimentazione	1	132	Perno osculatore camma	1
115	Bulloni protezione lama	1	133	Asse scorrevole	1
116	Cuscinetto a sfere 6204	2	134	Scivolo	1
117	Ruota della cinghia	1	135	Piedino in gomma	4
118	Perno della ruota della cinghia	1	136	Bricchetta asse scorrevole	2



N. parte	Nome della parte	Quantità	N. parte	Nome della parte	Quantità
137	Relè	1	165	Guarnizione della molla per foro Ø 47	1
138	Molla dell'asse scorrevole	2	166	Dado a testa quadra del disco di protezione della lama	1
139	Asse scorrevole staffa traino	1	167	Bullone maniglia fissa braccio	1
140	Asse perpendicolare	1	168	Bullone deflettore dito	2
141	Staffa traino	1	169	Dado deflettore dito	2
142	Pulsante della staffa di traino	1	170	Bullone manopola staffa	1
143	Sede affilalama	1	171	Dado manopola staffa	1
144	Pulsante	2	172	Bullone base staffa	1
145	Ruota di affilatura fine Ø45	1	173	Vite di fissaggio asse perpendicolare	2
146	Perno della ruota di pulizia bava	2	174	Bullone bricchetta asse scorrevole	4
147	Molla della ruota di pulizia bava	2	175	Bullone asse scorrevole	1
148	Ruota di affilatura grossolana Ø45	2	176	Guarnizione molla sottostante Ø 12	1
149	Manopola serraggio affilatrice	1	177	Spessore raschia carne	2
150	Base di supporto dell'anello esterno	1	178	Bullone raschia carne	1
151	Ruota Ø 4.751	1	179	Spessore del cuscinetto del fulcro	2
152	Perno della pietra di sfregamento	1	180	Bullone del cuscinetto del fulcro	2
153	Base del sottogruppo affilatore	1	181	Blocco di acciaio inossidabile	1
154	Perno dell'anello di protezione della lama	2	182	Magnete	1
155	Perno del vassoio per alimenti	1	183	Interruttore magnetico	1
156/156A	Pannello di bloccaggio carne	1	184	Blocco parziale	1
157	Staffa dell'asse scorrevole	1	185	Microinterruttore	1
158	Ruota piccola della cinghia del motore	1	186	Copertura cuscinetto vassoio A	1
159	Ruota di trasmissione scorrevole	1	187	Copertura cuscinetto vassoio B	1
160	Maniglia staffa traino	1	188	Spessore del cuscinetto del fulcro	1
161	Assale scorrevole 608	1	189	Guarnizione di tenuta olio	1
162	Regolazione ruota della cinghia	1	190	Barra in acciaio inossidabile	1
163	Regolazione affilatrice	1	191	Vite di fissaggio per la staffa del vassoio	1
164	Guarnizione della molla per cuscinetto Ø 20	1			



Garanzia

Qualsiasi difetto che influenzi la funzionalità del dispositivo che compaia entro un anno dall'acquisto sarà corretto a titolo interamente gratuito o con la sostituzione del prodotto che è stato utilizzato e sottoposto a manutenzione corretta seguendo le istruzioni, senza alcuna violazione. I diritti legali del cliente non sono assolutamente modificati. Nel caso in cui l'intervento di manutenzione o sostitu-

zione sia previsto nel periodo di validità della garanzia, precisare dove e quando si è acquistato il prodotto, possibilmente allegando lo scontrino.

In linea con la nostra politica di sviluppo continuo dei prodotti, ci riserviamo il diritto di modificare il prodotto, l'imballo e le specifiche di documentazione, senza notifica alcuna.

Smaltimento e protezione dell'ambiente

In caso di ritiro dell'apparecchiatura dal funzionamento il prodotto non può essere smaltito con altri rifiuti domestici. L'utente è responsabile della consegna dell'attrezzatura al punto di raccolta appropriato per l'attrezzatura usata. Il mancato rispetto delle disposizioni sopramenzionate può comportare l'imposizione di sanzioni in conformità con le normative vigenti in materia di smaltimento dei rifiuti. La raccolta e il riciclaggio selettivi di attrezzature usate contribuiscono alla conserva-

zione delle risorse naturali e garantiscono il riciclaggio in modo tale da non nuocere alla salute e all'ambiente. Per ulteriori informazioni sui luoghi di smaltimento delle apparecchiature usate per il riciclaggio, contattare la società locale di raccolta dei rifiuti. Il produttore e l'importatore non sono responsabili per il riciclaggio e il trattamento dei rifiuti in modo ecologico, sia direttamente che nel quadro del sistema pubblico.

Stimate client,

Vă mulțumim pentru achiziționarea acestui aparat Hendi. Vă rugăm să citiți cu atenția acest manual înainte de a conecta aparatul pentru evitarea defectării ca urmare a utilizării incorecte. Acordați o atenție deosebită regulilor de siguranță.

Reguli de siguranță


- Operarea incorectă și utilizarea necorespunzătoare a aparatului poate avaria grav aparatul și poate cauza răni oamenilor.
- Aparatul este utilizat exclusiv în scopuri comerciale și nu trebuie folosit pentru uz casnic.
- Aparatul poate fi folosit doar în scopul pentru care a fost proiectat. Producătorul nu este răspunzător pentru orice avariere cauzată operării incorecte și a utilizării necorespunzătoare.
- Asigurați-vă că aparatul și ștecherul nu intră în contact cu apă sau alte lichide. În cazul în care aparatul este scăpat în apă, scoateți imediat ștecherul din priză și un tehnician autorizat trebuie să-l verifice. Dacă nu respectați aceste instrucțiuni, acest lucru poate cauza situații care vă pot pune viața în pericol.
- Nu încercați să deschideți singuri carcasa aparatului.
- Nu introduceți nici un fel de obiecte în carcasa aparatului.
- Nu atingeți ștecherul cu mâinile ude sau umede.
- **Pericol de electrocutare!** Nu încercați să reparați singur/ă aparatul. În cazul unei defecțiuni, reparațiile vor fi efectuate întotdeauna numai de personal calificat.
- **Nu utilizați niciodată un aparat defect!** Deconectați aparatul de la priza electrică și contactați distribuitorul în cazul unei defecțiuni.
- **Avertisment!** Nu scufundați părțile electrice ale aparatului în apă sau în alte lichide. Nu țineți niciodată aparatul sub jet de apă.
- Verificați în mod regulat ștecărul și cablul pentru a vă asigura că nu sunt deteriorate. În cazul în care ștecărul sau cablul de alimentare este deteriorat, acesta trebuie înlocuit de agentul de service sau de alt personal calificat similar pentru a evita orice pericol.
- Cablul nu trebuie să intre în contact cu obiecte ascuțite sau fierbinți și trebuie păstrat departe de foc. Pentru a scoate ștecărul din priză, trageți întotdeauna de ștecăr, nu de cablu.
- Asigurați-vă că nimeni nu poate trage din greșeală cablul (sau prelungitorul) și că nimeni nu se poate împiedica de el.
- Supravegheați întotdeauna aparatul atunci când este în funcțiune.
- Avertisment! Atât timp cât ștecărul este în priză, aparatul este conectat la sursa de electricitate.
- Opriti aparatul înainte de a scoate ștecărul din priză.
- Nu cărați niciodată aparatul ținându-l de cablu.
- Nu utilizați dispozitive suplimentare care nu sunt livrate împreună cu aparatul.
- Conectați aparatul doar la prize electrice cu intensitatea și frecvența electrice menționate pe eticheta aparatului.

RO



- Conectați cablul de alimentare la o priză electrică ușor accesibilă, astfel încât aparatul să poată fi deconectat imediat în caz de urgență. Scoateți cablul de alimentare din priza electrică pentru a opri complet aparatul. Utilizați cablul de alimentare ca dispozitiv de deconectare.
- Opriti întotdeauna aparatul înainte de a deconecta cablul de alimentare.
- Nu utilizați niciodată accesoriile care nu sunt recomandate de către producător. Acestea pot reprezenta un risc de siguranță pentru utilizator și pot deteriora aparatul. Utilizați numai piese și accesoriile originale.
- Acest aparat nu trebuie folosit de copii sau persoane care au capacități mentale, senzoriale sau fizice reduse, sau lipsă de experiență și cunoștințe.
- Acest aparat nu trebuie utilizat sub nicio formă de către copii.
- Nu țineți produsul și cablurile sale la îndemâna copiilor.
- Copiii nu trebuie să se joace cu acest produs.
- Deconectați întotdeauna aparatul de la sursa de alimentare în cazul în care este lăsat nesupravegheat, precum și înainte de asamblare, dezasamblare sau curățare.
- Nu lăsați niciodată aparatul nesupravegheat pe parcursul utilizării.

Instrucțiuni speciale de siguranță

- Acest aparat este un echipament de procesare comercială a alimentelor, precum, de ex. carne, brânză, cârnați, pâine, etc. Alimentele de feliat trebuie dezghețate, despachetate și nu trebuie să includă oase înainte ca acestea să poată fi feliate cu ajutorul aparatului. Orice altă utilizare poate duce la deteriorarea aparatului sau la vătămare personală.
- Acest aparat nu trebuie utilizat la tăierea sau felierea alimentelor congelate, a cărnii cu oase, a peștelui sau a oricăror produse non-alimentare, etc.
- Utilizați aparatul numai așa cum este descris în acest manual.
- Acest aparat trebuie operat de personal instruit din bucătăria restaurantului, din cantine, sau personalul barului, etc.
- Nu poziționați aparatul pe un obiect de încălzire. (cuptor cu benzină, electric, cu cărbune, etc.) Țineți aparatul la distanță față de orice suprafețe fierbinți și orice flăcări deschise. Operați întotdeauna aparatul pe o suprafață stabilă, curată, rezistentă la căldură și uscată.
- Acest aparat nu este conceput pentru a fi operat printr-un temporizator extern sau un sistem de control la distanță separat.
-  Un terminal echipotențial este furnizat pentru a permite îmbinarea cu alte echipamente.
- Nu omiteți niciodată interblocajele de siguranță de pe aparat.
- **AVERTISMENT:** Țineți toate deschiderile de ventilație din aparat neobstrucționate.
- **AVERTISMENT: ÎNTOTDEAUNA** opriti aparatul și deconectați-l de la alimentarea electrică înainte de curățare, întreținere sau depozitare.
- **AVERTISMENT: ÎNTOTDEAUNA** păstrați mâinile, părul lung și articolele de îmbrăcăminte departe de piesele mișcătoare.

- **AVERTISMENT:** Aveți grijă la manipularea lamei de tăiere. Purtați mănuși de protecție (nefurnizate) după caz.
- Permiteți un spațiu de cel puțin 15 cm în jurul aparatului pentru ventilație în timpul utilizării.
- **Atenție!** Așezați în siguranță cablul de alimentare după caz pentru a preveni tragerea a sau contactul accidental cu suprafața de încălzire.
- Nu spălați aparatul cu apă sau jet de apă. Spălarea cu apă poate cauza scurgeri și poate mări riscul de electrocutare. Nicio piesă nu este sigură pentru aparatul de spălat vase.
- Nu curățați sau depozitați aparatul înainte ca acesta să se răcească în mod complet.
- Nu mutați aparatul în timp ce este în funcțiune. Scoateți aparatul din priză atunci când îl mutați și țineți-l de partea inferioară.
- Trebuie acordată atenție specială la mutarea sau transportarea aparatului din cauza greutatei ridicate. Trebuie transportat de cel puțin 2 persoane, sau trebuie utilizat un cărucior. Deplasați aparatul încet, cu atenție și niciodată la un unghi de peste 45°.

Destinația produsului

- Acesta este un aparat de uz profesional și poate fi utilizat numai de către personalul calificat.
- Aparatul este destinat doar pentru felierea alimentelor, de exemplu, mezeluri, brânză, pâine etc. Orice altă utilizare poate provoca avarierea aparatului sau accidentarea persoanelor.
- Utilizarea aparatului în orice alt scop reprezintă o utilizare incorectă. Utilizatorul este singurul răspunzător de orice utilizare incorectă a aparatului.

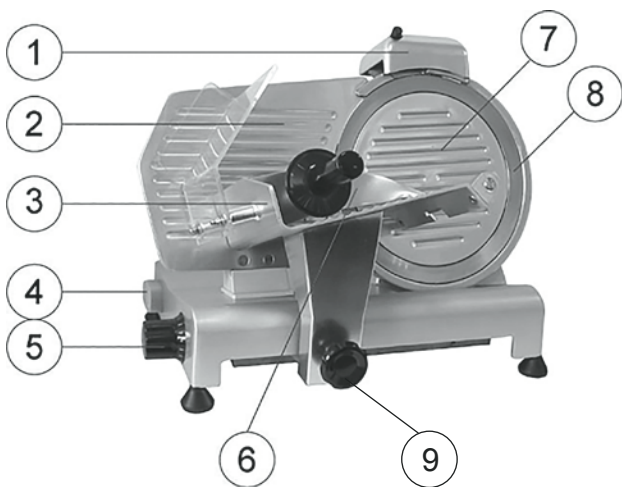
Instalația de împământare

Acest aparat este încadrat în clasa de protecție I și trebuie împământat. Împământarea reduce riscul electrocutării prin asigurarea unui fir de ieșire pentru curentul electric. Acest aparat este dotat cu

un cablu cu fir de împământare cu fișă. Fișa trebuie conectată la o priză instalată corespunzător și împământată.

Părțile principale ale aparatului

- 1 Ascuțitoarea lamei
- 2 Placă rotitoare
- 3 Suport
- 4 Întrerupător On/off
[Alb (I): PORNIT; Negru (O): OPRIT]
- 5 Butonul pentru reglarea grosimii
- 6 Clema produsului
- 7 Protecția lamei
- 8 Lamă
- 9 Blocare suport
- 10 Șurubul de protecție Lama
(nu se afișează)

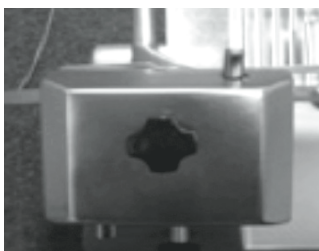


Pregătirea pentru prima sa utilizare

- Verificați ca aparatul să nu fie avariât. În cazul unor avarii, contactați imediat furnizorul dumneavoastră și NU utilizați aparatul.
- Scoateți ambalajul acestuia
- Verificați caracterul complet al aparatului și pentru eventuale daune din timpul transportului. În caz de livrare incompletă sau daune, contactați imediat furnizorul. NU utilizați aparatul. (Consultați ==> Garanție).
- Curățați lama. Fiți atenți: lama este foarte ascuțită. (Utilizați mănuși dacă este necesar, acestea nu sunt incluse)
- Păstrați deschis un spațiu de cel puțin 10 cm în jurul aparatului pentru a permite o aerisire adecvată.
- Poziționați aparatul în așa fel încât priza să fie întotdeauna accesibilă.
- Dacă dispozitivul de ascuțit nu este atașat, procedați după cum urmează:



1. Vedere de sus a aparatului



2. Atașați modulul de ascuțire în așa fel încât lama să nu se miște între cele două roți.

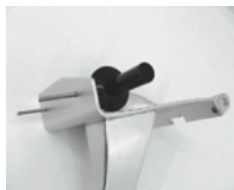


3. Fixați dispozitivul de ascuțire la aparat prin strângerea suportului. Verificați pentru a vă asigura că dispozitivul de ascuțire este bine securizat înainte de a utiliza aparatul.

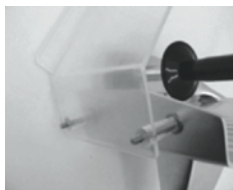
RO

IMPORTANT! Dispozitivul de ascuțire este dotat cu un întrerupător de siguranță. Dacă dispozitivul de ascuțire nu este atașat în mod corespunzător, nu veți putea utiliza aparatul.

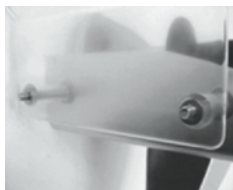
- Atașați protecția pentru mână.



1. Așezați ambele șuruburi pe suport.



2. Atașați protecția pentru mână.



3. Așezați ambele garnituri peste șuruburi.



4. Înșurubați cele două piulițe.

IMPORTANT! Vă recomandăm să nu folosiți aparatul dacă suportul și apărătoarea de mâini nu sunt atașate conform instrucțiunilor! Acestea sunt măsuri de siguranță pentru prevenirea eventualelor accidente. Dacă nu respectați aceste măsuri, riscați să vă accidentați.

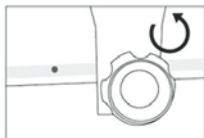


Instrucțiuni de folosire

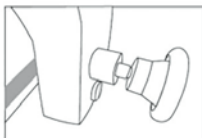
- Așezați aparatul astfel încât întrerupătorul on/off să fie poziționat cu fața la utilizator.
- Dacă ascuțitoarea lamei nu a fost instalată, procedați după cum urmează:
 - Așezați ascuțitoarea lamei în suportul său astfel încât lama să nu ajungă la angrenaj.
 - Strângeți șurubul de siguranță de pe ascuțitoarea lamei.
 - NOTĂ! Aparatul este dotat cu un întrerupător de siguranță și se va opri automat în cazul în care dispozitivul de ascuțire este îndepărtat.
- Împingeți ștecherul în priză din perete.
- Rotiți discul cu scară gradată până la grosimea feliei dorite.
- PORNIIți aparatul apăsând butonul „ALB (I)” al comutatorului PORNIT/OPRIT.
- Puneți produsul alimentară pe suport și reglați clema astfel încât să țină produsul bine pe loc. Asigurați-vă că produsul este poziționat pe platoul rotativ.
- Odată ce produsul a fost feliat, OPRIȚIți aparatul apăsând butonul „NEGRU (O)” al comutatorului PORNIT/OPRIT.
- Rotiți butonul pentru reglarea grosimii înapoi la “0”.

Cum să blocați feliatorul

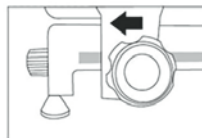
- 1 Rotiți butonul contrar acelor de ceasornic.



- 2 Continuați să rotiți până ce este deșurubat COMPLET.

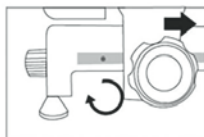


- 3 Mutați în poziția potrivită, feliatorul se va bloca automat.



Cum să deblocați feliatorul

- 1 Rotiți butonul în direcția acelor de ceasornic pentru a debloca feliatorul. Butonul trebuie să fie strâns complet pentru a bloca sistemul de glisare.



Ascuțirea lamei

Ascuțiți lama când aceasta se tocește. Lama este extrem de rezistentă la uzură. Dacă aparatul este folosit cu regularitate și în mod corespunzător, lama nu trebuie ascuțită decât o dată pe an.

- Scoateți ștecherul din priză din perete.
- Rotiți butonul pentru reglarea grosimii la "0".
- Curățați lama.
- Deșurubați butonul rotativ pentru blocarea ascuțitorii.
- Ridicați ascuțitoarea din dispozitivul de blocare și rotiți-l la 180°.
- Coborâți ascuțitoarea până când aceasta alunecă înapoi în dispozitivul de blocare.
- Fixați ascuțitoarea prin strângerea butonului de blocare.
- Opritiți aparatul. Lama va începe să se rotească.
- Utilizați butonul pentru a apăsa piatra de ascuțire înclinată pe lamă și mențineți timp de două minute. Piatra de ascuțire ar trebui să se rotească

împreună cu lama.

- Utilizați butonul pentru a apăsa pentru scurt timp piatra de ascuțire verticală pe lamă pentru a îndepărta bavurile. Piatra de ascuțire ar trebui să se rotească împreună cu lama.
- Opritiți aparatul și scoateți ștecherul din priză din perete.
- Deșurubați butonul de blocare a ascuțitorii și curățați pietrele ascuțite cu alcool.
- Înlocuiți ascuțitoarea în poziția sa inițială pe aparat și strângeți butonul de blocare pentru a-l fixa la loc. Lama nu trebuie să ajungă între pietrele ascuțite.
- Scufundați în apă caldă, cu puțin săpun, timp de câteva minute. Clătiți și uscați complet.
- Împingeți fișa în priză din perete. Manipulați cu atenție.
- Aparatul poate fi utilizat.

Sfaturi pentru curățare și întreținere

- **Atenție:** Deconectați întotdeauna aparatul de la priză electrică și lăsați-l să se răcească complet înainte de curățare și depozitare și setați butonul rotativ pentru grosimea feliilor în poziția „0”.
- Curățați aparatul după fiecare utilizare.
- **Atenție!** Nu introduceți niciodată aparatul în apă sau în orice alt lichid!
- Curățați aparatul cu o cârpă umedă (apă cu detergent ușor).

- Nu utilizați niciodată agenți de curățare puternici sau corozivi. Nu folosiți obiecte ascuțite sau con-tondente. Nu folosiți petrol sau solvenți! Curățați cu o cârpă umedă și detergent dacă este necesar. Nu folosiți materiale abrazive.
- Scufundați în apă caldă, cu puțin săpun, timp de câteva minute. Clătiți și uscați complet.
- Manipulați cu atenție.
- În cazul în care suportul de alimente nu mai alunecă ușor, puneți mașina pe o parte. Curățați glijiera cu atenție și lubrifiați cu vaselină.

Depozitare

- Înainte de depozitare, asigurați-vă că aparatul a fost deja deconectat de la priză electrică și că s-a răcit complet.

- Depozitați aparatul într-un loc rece, curat și uscat.

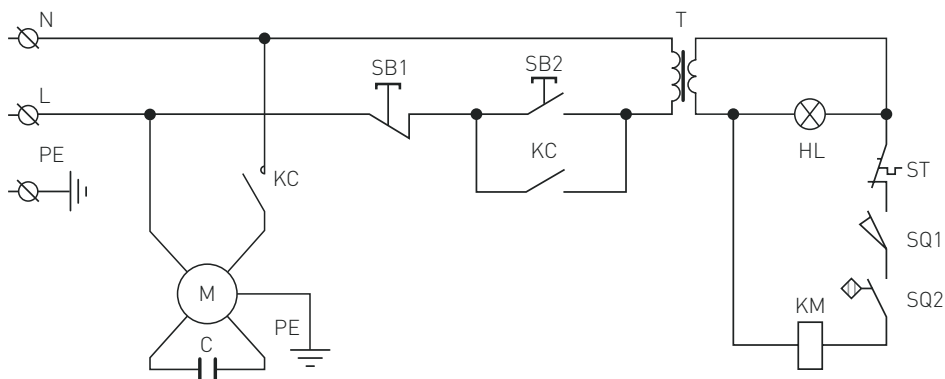
Risoluzione dei problemi

Se l'apparecchio non funziona correttamente, si prega di controllare la tabella seguente per la soluzione. Se non si è ancora in grado di risolvere il problema, contattare il fornitore/centro assistenza.

Problem	Possible cause	Solution
Aparatul nu feliază în mod egal	Lamă tocită	Ascuțiți lama
	Aparat murdar	Curățați aparatul
Aparatul nu mai feliază	Motor supraîncălzit	Lăsați mașina să se răcească pentru o perioadă îndelungată. Termostatul motorului de siguranță se va reseta automat.
Suportul nu alunecă	Glisieră murdară	Curățați glisiera și lubrifiați cu vaselină
	Se lipsesc bucăți de alimente de lamă	Opriiți aparatul și scoateți-l din priză. Lăsați-l să se oprească în mod complet. Eliminați orice blocaje Ștergeți lama cu o cârpă umedă.
Lama se oprește atunci când se taie produse.	Cureaua v este uzată sau murdară	Contactați furnizorul

Diagramă de circuit pentru 210000, 210017, 210031, 210048

Intrare tensiune CA: 220-240 VCA 50Hz



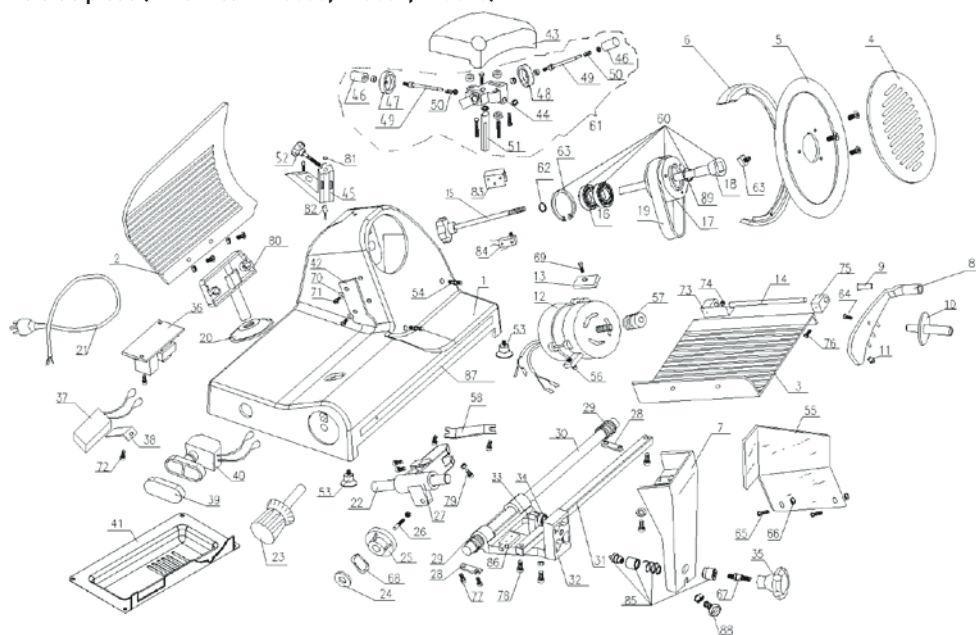
M : Motor
T : Transformator
C : Condensator
PE : Împământare de protecție (împământare)
L : Sub tensiune
N : Neutru

SB1, SB2 : Comutator
KC : Releu
HL : Lampă indicatoare
ST : Decupare termică
SQ1, SQ2 : Microcomutator

RO



Listă de piese (Nr. articol: 210000, 210031, 210048)



RO

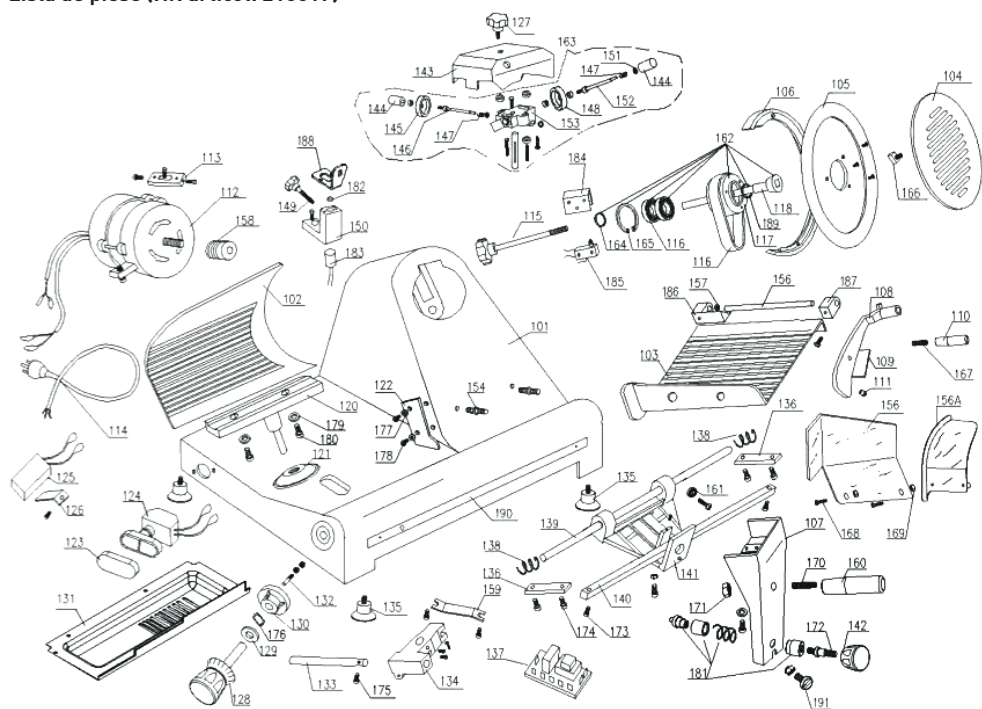
Nr. piesă	Nume piesă	Cantitate	Nr. piesă	Nume piesă	Cantitate
1	Element de închidere	1	20	Element auxiliar glisant	1
2	Sită	1	21	Linie de alimentare	1
3	Tavă pentru alimente	1	22	Ax glisant	1
4	Disc protecție lamă	1	23	Buton rotativ cu scară	1
5	Lamă	1	24	Garnitură cu arc	1
6	Inel protecție lamă	1	25	Camă	1
7	Consolă tavă	1	26	Ax basculant camă	1
8	Braț fix și pentru alimente	1	27	Glisor	1
9	Bucșă pentru braț fix	1	28	Element brichetare ax glisant	2
10	Mâner pentru braț fix	1	29	Arc pentru ax glisant consolă tragere	2
11	Granulă din plastic	1	30	Ax consolă tragere	1
12	Motor	1	31	Ax pătrat	1
13	Element brichetare motor	1	32	Consolă tragere	1
14	Știft braț fix Ø12x185	1	33	M8x35 Șurub hexagonal	1
15	Șuruburi protecție lamă	1	34	Rulment 607	1
16	Rulment 6202	2	35	Buton rotativ capac consolă tragere	1
17	Roată curea lamă Ø66	1	36	Relevu	1
18	Știftul roții cu curea	1	37	Condensator	1
19	Curea SV 330	2	38	Element reținere condensator	1



Nr. piesă	Nume piesă	Cantitate	Nr. piesă	Nume piesă	Cantitate
39	Buton element auxiliar	1	65	Șurub mâner braț fix	1
40	Comutator buton	1	66	Șurub ecran deget	2
41	Placă principală	1	67	Piuliță ecran deget	2
42	Element eliminare carne	1	68	Șurub buton rotativ consolă	1
43	Element auxiliar element ascuțire	1	69	Consolă arc inferior	1
44	Bază subansamblu element ascuțire	1	70	Șurub procesat motor	1
45	Bază ansamblu element ascuțire	1	71	Lamelă eliminare carne	2
46	Buton element ascuțire	2	72	Șurub element eliminare carne	2
47	Roată de rectificare fină Ø45	1	73	Șurub clemă fixare condensator	1
48	Roată de rectificare brută Ø45	1	74	Capac A rulment tavă	1
49	Știftul pietrei de frecare	2	75	Consolă placă pentru carne	1
50	Arc	2	76	Capac B rulment tavă	1
51	Știftul consolei elementului de ascuțire	1	77	Cap adâncit încastrat în cruce M6×12	2
52	Buton rotativ strângere element ascuțire	1	78	Șurub brichetare ax glisant	4
53	Arbore sită activ	1	79	Șurub blocare ax pătrat	2
54	Picior de cauciuc	4	80	Șurub ajustare glisor	1
55	Știft inel protecție lamă	2	81	Magnet	1
56	Placă blocare carne	1	82	Comutator magnet	1
57	Consolă ax glisant	2	83	Bloc din aluminiu	1
58	Curea mică roată motor	1	84	Micro-comutator	1
59	Element acționare glisare	1	85	Element blocare oțel inoxidabil	1
60	Setare roată curea	1	86	Bloc limitat	1
61	Setare element ascuțire	1	87	Bară din oțel inoxidabil	1
62	Consolă arc Ø15 pentru rulment	1	88	Șurub de fixare pentru consolă tavă	1
63	Consolă arc Ø15 pentru rulment	1	89	Etanșare ulei	1
64	Piuliță cap pătrat disc protecție lamă	1			



Listă de piese (Nr. articol: 210017)



RO

Nr. piesă	Nume piesă	Cantitate	Nr. piesă	Nume piesă	Cantitate
101	Element de închidere	1	119	Curea SV 400	2
102	Sită	1	120	Bază de suport	1
103	Tavă pentru alimente	1	121	Element protector cablu	1
104	Disc protecție lamă	1	122	Element eliminare carne	1
105	lamă	1	123	Buton element auxiliar	1
106	Inel protecție lamă	1	124	Comutator buton	1
107	Consolă tavă	1	125	Condensator	1
108	Braț fix pentru alimente	1	126	Element reținere condensator	1
109	Bucșă pentru braț fix	1	127	Șurubul axului orientat	1
110	Mâner	1	128	Buton rotativ cu scară	1
111	Granulă din plastic	1	129	Garnitură cu arc	1
112	Motor	1	130	Camă 300	1
113	Element brichetare motor	1	131	Placă principală	1
114	Linie de alimentare	1	132	Știft basculant camă	1
115	Șuruburi protecție lamă	1	133	Ax glisant	1
116	Rulment 6204	2	134	Glisor	1
117	Roată curea	1	135	Picior de cauciuc	4
118	Știftul roții cu curea	1	136	Element brichetare ax glisant	2



Nr. piesă	Nume piesă	Cantitate	Nr. piesă	Nume piesă	Cantitate
137	Releu	1	165	Consolă arc pentru orificiu Ø 47	1
138	Arc ax glisant	2	166	Piuliță cap pătrat disc protecție lamă	1
139	Ax glisant consolă tragere	1	167	Șurub mâner braț fix	1
140	Ax pătrat	1	168	Șurub ecran deget	2
141	Consolă tragere	1	169	Piuliță ecran deget	2
142	Buton consolă tragere	1	170	Șurub buton rotativ consolă	1
143	Element auxiliar element ascuțire	1	171	Piuliță buton rotativ consolă	1
144	Buton	2	172	Șurub buton consolă	1
145	Roată de rectificare fină Ø45	1	173	Șurub blocare ax pătrat	2
146	Știft roată curățare piatră de ascuțit	2	174	Șurub brichetare ax glisant	4
147	Arc roată curățare piatră de ascuțit	2	175	Șurub ax glisant	1
148	Roată de rectificare brută Ø45	2	176	Consolă arc inferior Ø 12	1
149	Buton rotativ strângere element ascuțire	1	177	Lamelă eliminare carne	2
150	Baza de susținere a inelului exterior	1	178	Șurub element eliminare carne	1
151	Roată Ø 4,751	1	179	Lamelă rulment punct de sprijin	2
152	Știft piatră frecare	1	180	Șurub rulment punct de sprijin	2
153	Bază subansamblu element ascuțire	1	181	Element blocare oțel inoxidabil	1
154	Știft inel protecție lamă	2	182	Magnet	1
155	Știft tavă alimente	1	183	Comutator magnet	1
156/156A	Placă blocare carne	1	184	Bloc limitat	1
157	Consolă ax glisant	1	185	Micro-comutator	1
158	Curea mică roată motor	1	186	Capac A rulment tavă	1
159	Roată transmitere glisare	1	187	Capac B rulment tavă	1
160	Mâner consolă tragere	1	188	Lamelă rulment punct de sprijin	1
161	Ax glisant 608	1	189	Etanșare ulei	1
162	Setare roată curea	1	190	Bară din oțel inoxidabil	1
163	Setare element ascuțire	1	191	Șurub de fixare pentru consolă tavă	1
164	Consolă arc pentru orificiu rulment Ø 20	1			



Garanție

Orice defecțiune care afectează funcționarea aparatului apărută la mai puțin de un an de la cumpărarea acestuia va fi remediată prin reparație sau înlocuire gratuită, cu condiția ca aparatul să fi fost folosit și întreținut conform instrucțiunilor nu să nu fi fost bruscat sau folosit necorespunzător în vreun fel. Drepturile dumneavoastră legale nu sunt afec-

tate. Dacă aparatul este în garanție, menționați când și de unde a fost cumpărat și includeți dovada cumpărării (de ex. chitanța).

Conform politicii noastre de dezvoltare continuă a produsului, ne rezervăm dreptul de a modifica produsul, ambalajul și documentația fără notificare.

Eliminarea și mediul înconjurător

La dezafectarea aparatului, produsul nu trebuie aruncat împreună cu alte deșeuri menajere. În schimb, este responsabilitatea dumneavoastră să eliminați echipamentul uzat prin predarea acestuia la un punct de colectare desemnat. Nerespectarea acestei reguli poate fi penalizată în conformitate cu reglementările aplicabile privind eliminarea deșeurilor. Colectarea separată și reciclarea echipamentului dumneavoastră uzat la momentul debarasării contribuie la conservarea resurselor na-

turale și asigură realizarea reciclării într-un mod care protejează sănătatea ființelor umane și a mediului. Pentru informații suplimentare privind modul în care puteți preda deșeurile dumneavoastră în scopul reciclării, vă rugăm să contactați compania locală de colectare a deșeurilor. Producătorii și importatorii nu își asumă responsabilitatea cu privire la reciclarea, tratarea și eliminarea ecologică a deșeurilor, fie direct, fie prin intermediul unui sistem public.

Большое Вам спасибо за то, что Вы купили оборудование фирмы HENDI. Вам следует внимательно прочитать настоящую инструкцию пользователя во избежание повреждения машины в результате неправильной эксплуатации. Особенно рекомендуем ознакомиться с предупреждениями.

Правила техники безопасности

- Неправильная эксплуатация и неподходящее использование агрегата может привести к его поломке и поранить оператора.
- Настоящее устройство предназначено исключительно для коммерческого использования и не должно использоваться в домашних условиях.
- Оборудование следует использовать точно по назначению. Производитель не несет ответственности за повреждения, вызванные неправильной эксплуатацией или неправильным обслуживанием оборудования.
- Оборудование и электрическую штепсельную вилку следует держать вдали от воды и прочих жидкостей. Если штепсельная вилка попадет в воду, ее следует тут же вытащить из розетки электропитания и обратиться в службу сертифицированного сервиса для проверки устройства. Несоблюдение данных указаний может повлечь за собой угрозу здоровью и жизни обслуживающего персонала.
- Нельзя снимать кожу без особого разрешения.
- Нельзя класть никаких посторонних предметов вовнутрь агрегата.
- Нельзя касаться мокрыми, или влажными руками штепсельной вилки.
- **Опасность поражения током!** Не следует самостоятельно чинить электроаппаратуру. Любые поломки и неисправности должны устраняться квалифицированным персоналом.
- **Никогда не следует пользоваться поврежденной электроаппаратурой.** Поврежденное устройство нужно отсоединить от электросети и обратиться к продавцу.
- **Предупреждение:** не следует погружать электрических деталей в воду, или иные жидкости. Не омыwać в струе воды.
- Регулярно проверять вилку и провод электропитания на предмет повреждений. Поврежденные вилку или провод передать для ремонта в сервисную точку, или обратиться к квалифицированному электрику во имя предотвращения опасности травм.
- Удостовериться, что провод электропитания не касается острых и горячих предметов; держать электропровод вдали от открытого огня. Для того, чтобы вынуть вилку из розетки всегда нужно тянуть за вилку, а не за электропровод.
- Защитить провод электропитания (удлинитель) от случайного выпадения из розетки. Электропровод прокладывать так, чтобы случайно не зацепиться за него.
- Непрестанно наблюдать за работающей электроаппаратурой.
- **Предупреждение!** Если вилка находится в розетке – это означает, что электроаппаратура считается подключенной к электропитанию.
- Перед тем, как вынуть вилку из розетки, электроаппаратуру следует выключить!
- Никогда нельзя переносить, передвигать электроаппаратуру держа за электропровод.




- Не использовать никаких деталей, аксессуаров, которые не поставляются вместе с этой электроаппаратурой.
- Электроаппаратуру следует подключать исключительно к розетке, в которой имеется напряжение и частоту, указанную на щитке электроаппаратуры.
- Вилку следует вставлять в розетку, расположенную в удобном и легкодоступном месте, так чтобы в случае аварии можно бы ее немедленно вынуть. Для полного обеспечения электроаппаратуры ее следует отсоединить от электропитания; для этого следует вынуть вилку, находящуюся на конце провода электропитания, из розетки.
- Перед тем, как вынуть вилку всегда следует помнить о том, чтобы сначала выключить электроаппаратуру!
- Не следует использовать детали, аксессуары, не рекомендуемые производителем данной электроаппаратуры, т.к. использование таких деталей, аксессуаров может создать для пользователя угрозу его здоровью и жизни, а также может привести к поломке электроаппаратуры. Следует всего использовать оригинальные детали, аксессуары.
- Без надлежащего контроля или предварительного обучения эксплуатации оборудования проводимого лицом, отвечающим за безопасную эксплуатацию, оборудованием не могут пользоваться ни дети, ни лица с ограниченными физическими, или психическими возможностями, ни лица, которые не обладают необходимым опытом работы и знаниями в данной области.
- Ни в коем случае нельзя допускать к использованию электроаппаратуры детей.
- Электроаппаратуру следует хранить в месте недоступном для детей.
- Нельзя разрешать детям использовать электроаппаратуру в качестве игрушки.
- Всегда электроаппаратуру следует отсоединить от электропитания, если оставляем ее без надзора, перед монтажом, демонтажем и чисткой.
- Нельзя оставлять работающую электроаппаратуру без надзора.

RU

Особые меры предосторожности

- Данное устройство представляет собой коммерческий аппарат для обработки пищи и предназначено только для нарезки пищевых продуктов, в том числе мяса, сыра, колбас, хлеба и т. д. Перед нарезанием необходимо разморозить и распаковать продукты и очистить их от костей. Любое другое использование может повлечь за собой повреждение устройства или травму.
- Данное устройство не следует использовать для нарезания замороженных продуктов, мяса с костями, рыбы, любых непищевых продуктов и т. д.
- Устройство следует использовать только в соответствии с настоящим руководством.
- Эксплуатацию устройства должен осуществлять обученный персонал на кухнях ресторанов, столовых, баров и т. д.
- Запрещается ставить устройство на нагревающиеся поверхности. (газовые, электрические, угольные плиты и т. д.) Устройство не следует держать вблизи горячих поверхностей и открытого огня. Устройство следует использовать на ровной, устойчивой, термостойкой и сухой поверхности.



- Данное устройство не предназначено для эксплуатации с использованием внешнего таймера или отдельного пульта дистанционного управления.
-  На устройстве имеется клемма системы уравнивания потенциалов для соединения с другим оборудованием.
- Не следует обходить никакие предохранительные системы устройства.
- **ПРЕДУПРЕЖДЕНИЕ.** Запрещается закрывать любые вентиляционные отверстия на устройстве.
- **ПРЕДУПРЕЖДЕНИЕ. ВСЕГДА** выключайте устройство и отключайте его от электросети перед очисткой, техобслуживанием или помещением на хранение.
- **ПРЕДУПРЕЖДЕНИЕ. ВСЕГДА** держите руки, длинные волосы и предметы одежды на безопасном расстоянии от движущихся частей.
- **ПРЕДУПРЕЖДЕНИЕ.** При работе с режущим лезвием необходимо соблюдать особую осторожность. При необходимости следует использовать защитные перчатки (не входят в комплект).
- Во время использования вокруг устройства должно быть не менее 15 см свободного пространства для нормальной вентиляции.
- **Осторожно!** При необходимости следует надежно закрепить кабель питания для предотвращения случайного дергания или соприкосновения с горячей поверхностью.
- Запрещается мыть устройство водой или водяной струей. При мойке водой возможна протечка и повышается вероятность поражения током. Никакие детали устройства нельзя мыть в посудомоечной машине.
- Запрещается проводить чистку устройства или помещать его на хранение до того, как оно полностью остынет.
- Запрещается перемещать устройство во время эксплуатации. При необходимости перемещения устройства следует отключить его от электросети и держать его за дно.
- При перемещении или транспортировке устройства следует соблюдать особую осторожность в связи с его большим весом. Для перемещения следует задействовать не менее 2 человек или использовать тележку. Устройство следует перемещать медленно и аккуратно и не наклонять под углом более 45°.

Назначение устройства

- Устройство предназначено для профессионального использования и должно эксплуатироваться только квалифицированным персоналом.
- Настоящее устройство предназначено только для нарезания пищевых продуктов, в том числе мяса, сыра, хлеба и т. д. Использование устройства для любых других целей может привести к повреждению или травме тела.
- Использование устройства для любых других целей будет рассматриваться, как использование не по назначению. Пользователь будет нести исключительную ответственность за неправильное использование устройства.



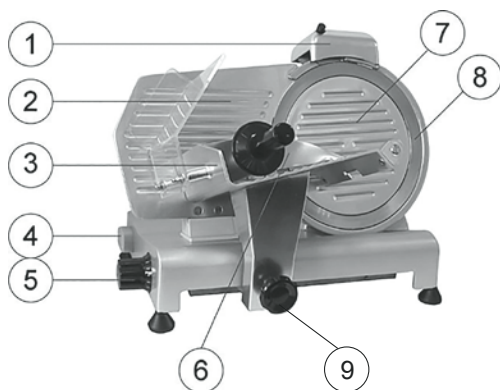
Монтаж заземления

Печь представляет собой устройство I класса защиты и должно быть заземлено. Заземление снижает риск поражения электрическим током за счет отводящего провода. Устройство оснаще-

но заземляющим проводом с вилкой с заземляющим контактом. Не вставляйте вилку в контакт, если устройство не установлено надлежащим образом и не заземлено.

Основные детали устройства

- 1 Заточивающее устройство
- 2 Боковой край каретки
- 3 Каретка
- 4 Включатель
[Белый (I): ВКЛ; Черный (O): ВЫКЛ]
- 5 Ручка толщины резки
- 6 Прижимное устройство продукта
- 7 Крышка оси
- 8 Лезвие
- 9 Замок каретка
- 10 Кожух болт
(не отображается)]



Перед первым использованием

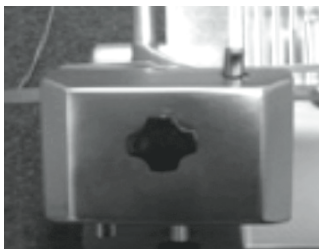
- Убедитесь, что нет никаких недостающих частей. В противном случае обратитесь к поставщику.
- Устраните упаковочный материал.
- Необходимо проверить устройство на полную комплектацию и наличие повреждений при транспортировании. В случае обнаружения неполной комплектации или повреждений следует незамедлительно связаться с поставщиком. Такое устройство ЗАПРЕЩАЕТСЯ использовать. [См. ==> Гарантия].

- Очистите лезвие. Внимание: оно очень острое! (При необходимости следует использовать перчатки, не входящие в комплект)
- Оставьте свободное пространство мин.10см вокруг устройства, чтобы обеспечить необходимую вентиляцию.
- Установить устройство таким образом, чтобы обеспечить свободный доступ к вилке.
- Если заточивающее устройство не установлено, действуйте согласно представленным ниже указаниям:

RO



1. Вид сверху



2. Установите заточивающее устройство таким образом, чтобы лезвие не передвигалось между точильными камнями.

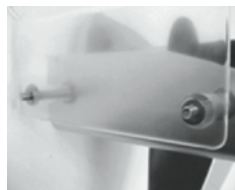
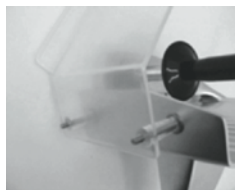
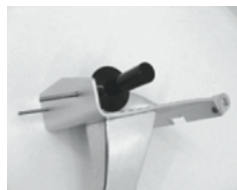


3. Затяните ручку, чтобы заточивающее устройство было неподвижным. Перед использованием устройства убедитесь, что заточивающее устройство надежно закреплено.



ВНИМАНИЕ! Заточивающее устройство оснащено аварийным выключателем. В случае, если он не установлен, нельзя будет пользоваться устройством.

- Укрепите экран, защищающий руки.



1. Установите два винта в каретке.

2. Установите защитный экран.

3. Установите две шайбы на винты.

4. Закрутите две глухие гайки.

ВНИМАНИЕ! Рекомендуется не пользоваться устройством, если защитный экран для рук не был установлен так, как показано выше! Экран должен защищать пользователя от травм. Если экраны не установлены, существует риск получения травмы.

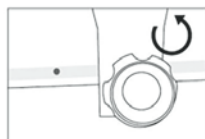
Использование устройства

- Установите устройство таким образом, чтобы выключатель был направлен в сторону потребителя.
- Если заточивающее устройство не установлено, действуйте в соответствии с указанными ниже рекомендациями:
 - Установите заточивающее устройство на держателе так, чтобы лезвие не выступало за пределы точильных камней.
 - Затяните запорный винт на заточивающем устройстве.
 - Внимание! Если оно оснащено аварийным выключателем, он автоматически выключит устройство, когда будет устранено заточивающее устройство.
- Вложите вилку в сетевую розетку.
- Поверните ручку со шкалой и установите необходимую толщину резки.
- Включите устройство, нажав БЕЛУЮ (I) кнопку выключателя.
- Положите продукт на каретке и установите прижимное устройство так, чтобы продукт стабильно удерживать на месте. Убедитесь, что продукт прилегает к боковой кромке каретки.
- После завершения нарезания выключите устройство, нажав ЧЕРНУЮ (O) кнопку выключателя.
- Установите ручку опять в положение "0".

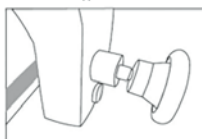
RU

Блокирование слайсера

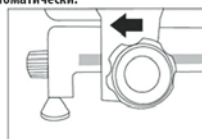
- 1 Поверните ручку против часовой стрелки.



- 2 Поворачивайте ручку пока она не будет полностью свободной.

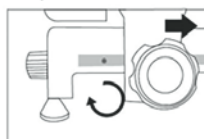


- 3 Установите каретку в необходимое положение. Слайсер блокируется автоматически.



Разблокирование слайсера

- 1 Поверните ручку по часовой стрелке, чтобы разблокировать слайсер. Ручка должна быть повернута до конца, чтобы каретка оставалась в стабильном положении.



Лезвие

Если лезвие затупилось, его следует заточить. Лезвие очень прочное. Если оно эксплуатируется правильно и надлежащим образом, его достаточно затачивать один раз в год.

- Выньте вилку из сетевой розетки
- Установите ручку толщины резки в положение "0".
- Очистите лезвие.
- Открутите ручку, блокирующую затачивающее устройство.
- Поднимите затачивающее устройство на блокирующем элементе и поверните его на 180°.
- Точильный камень должен находиться с двух сторон лезвия.
- Опустите затачивающее устройство пока оно не заблокируется в запирающем элементе.
- Защитите затачивающее устройство в необходимом положении, крутя блокирующую ручку.
- Включите устройство. Лезвие начнет вращаться.
- Пользуйтесь кнопкой, чтобы прижать точильный камень к лезвию и придержите его в таком положении в течение 2 минут. Точильный камень должен вращаться вместе с лезвием.

- Пользуйтесь кнопкой, чтобы можно легко прижать вертикальный точильный камень к лезвию с целью устранения заусенец. Точильный камень должен вращаться вместе с лезвием.
- Выключите устройство и вытяните вилку из сетевой розетки.
- Открутите ручку, блокирующую затачивающее устройство и очистите точильные камни с помощью алкоголя.
- Поместите затачивающее устройство в исходное положение и затяните блокирующую ручку, чтобы устройство осталось неподвижным на своем месте. Лезвие не может выступать между точильными камнями.
- Погрузить в теплый слабый мыльный раствор на несколько минут. Сполоснуть и тщательно высушить.
- Вставить штекер в электрическую розетку. Обращаться с особой осторожностью.
- Устройство готово к работе.

RU

Чистка и обслуживание

- Внимание: Перед очисткой и помещением на хранение устройство следует отключить от электрической розетки, дать ему полностью остыть и установить ручку регулировки толщины нарезания в положение 0.
- После каждого использования необходимо проводить чистку устройства.
- ВНИМАНИЕ: Не погружайте устройство в воду или любую другую жидкость!
- Поверхности чистить влажной тряпкой (с водой и мягким чистящим средством).
- Не пользуйтесь агрессивными или абразивными химическими средствами. Не пользуйтесь острым инструментом. Не используйте бензин или растворители. Устройство чистить влажной тряпкой с добавлением жидкости для мытья посуды (если будет такая необходимость).

- Погрузить в теплый слабый мыльный раствор на несколько минут. Сполоснуть и тщательно высушить.
- Обращаться с особой осторожностью.
- Если каретка, которая поддерживает продукт, не работает плавно, поставьте устройство на бок. Осторожно очистите стержень, по которому передвигается каретка и смажьте его вазелином.

Хранение

- Перед помещением на хранение устройство следует отключить от электрической розетки и дать ему полностью остыть .
- Устройство следует хранить в чистом, сухом и прохладном месте.



Диагностика и устранение неисправностей

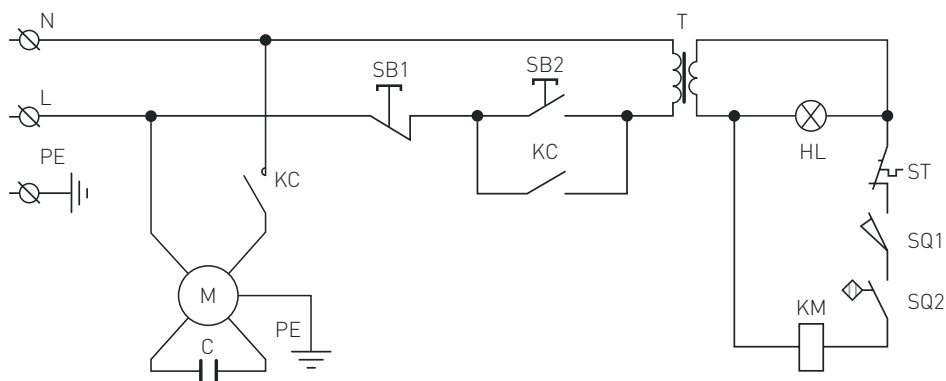
Если устройство не работает надлежащим образом, используйте следующую таблицу для поиска решения. Если вы не можете решить проблему, свяжитесь с поставщиком / сервисным специалистом.

Проблема	Возможная причина	Решение
Устройство нарезает продукты неравномерно	Тупое лезвие	Лезвие следует заточить
	Грязное устройство	Очистить устройство
Устройство не режет	Перегрелся двигатель	Оставить машину для охлаждения на длительное время. Защитный термостат от двигателя автоматически сбрасывается.
Каретка не передвигается	Загрязнился стержень, по которому передвигается каретка	Очистить стержень и смазать его вазелином
	К лезвию прилипли остатки продуктов	Выключите устройство и отключите его от электросети. Подождите, пока устройство полностью не остановится. Удалите налипшие продукты. Протрите лезвие влажной тканью.
Лезвие перестает вращаться во время резки продукта	Изношенный или грязный приводной ремень	Обратитесь к поставщику

Схема цепи для 210000, 210017, 210031, 210048

RU

Ввод напряжения переменного тока: 220-240 В 50 Гц пер. тока

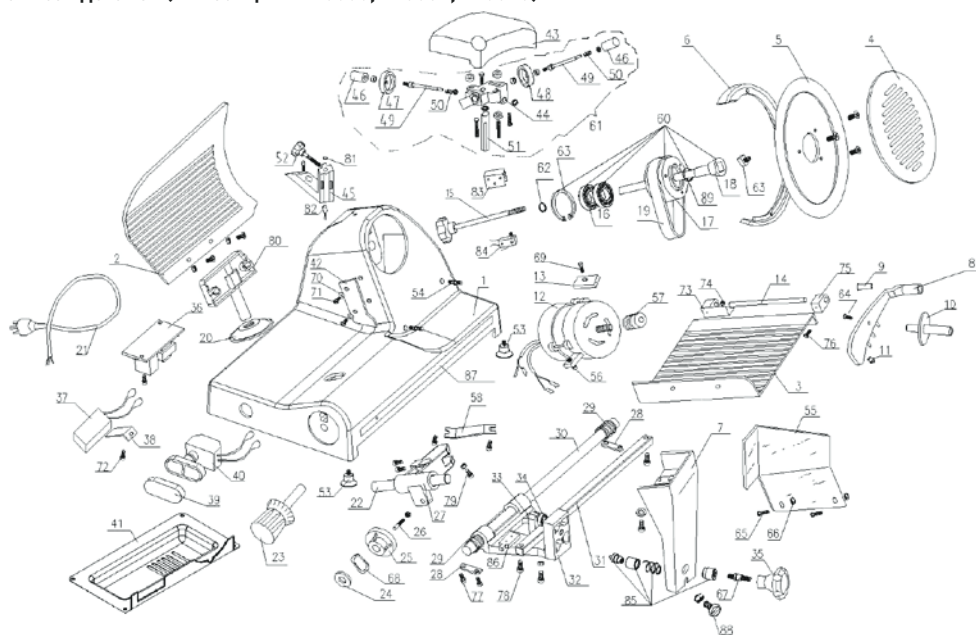


M : Двигатель
T : Трансформатор
C : Конденсатор
PE : Защитное заземление
L : Фаза
N : Нейтральный

SB1, SB2 : Выключатель
KC : Реле
HL : Индикаторная лампа
ST : Термический выключатель
SQ1, SQ2 : Микровыключатель



Список деталей (№ позиции : 210000, 210031, 210048)



RU

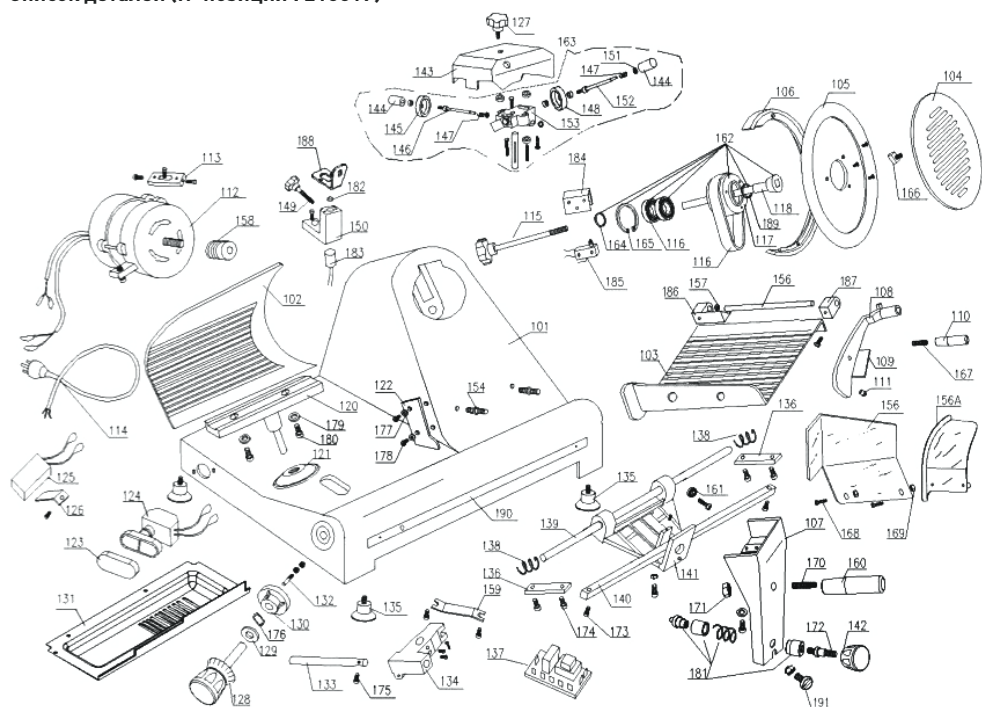
№ детали	Название детали	Количество	№ детали	Название детали	Количество
1	Ограждение	1	16	Шариковый подшипник 6202	2
2	Активная планка	1	17	Колесо для ремня лезвия Ø66	1
3	Поднос для продуктов	1	18	Штифт колеса для ремня	1
4	Диск защиты лезвия	1	19	Ремень SV.330	2
5	Лезвие	1	20	Скользящий контейнер для обрезков	1
6	Кольцо защиты лезвия	1	21	Линия питания	1
7	Скоба для поддона	1	22	Ось скольжения	1
8	Фиксированный рычаг для продуктов	1	23	Ручка с циферблатом	1
9	Втулка фиксированного рычага	1	24	Упругая прокладка	1
10	Ручка фиксированного рычага	1	25	Эксцентрик	1
11	Пластиковая гранула	1	26	Нивелир эксцентрика	1
12	Двигатель	1	27	Слайдер	1
13	Мотор для нарезки брикетов	1	28	Скользящая ось для нарезания брикетов	2
14	Штифт фиксированного рычага Ø12x185	1	29	Пружина оси скольжения тянущей скобы	2
15	Болты защиты лезвия	1	30	Ось тянущей скобы	1



№ детали	Название детали	Количество	№ детали	Название детали	Количество
31	Квадратная ось	1	61	Настройка точила	1
32	Тянущая скоба	1	62	Упругая прокладка Ø15 для подшипника	1
33	M8×35 Винт с шестигранной головкой	1	63	Упругая прокладка Ø15 для подшипника	1
34	Шариковый подшипник 607	1	64	Гайка для винта с квадратной головкой диска защиты лезвия	1
35	Ручка крышки тянущей скобы	1	65	Болт ручки фиксированного рычага	1
36	Реле	1	66	Болт заслонки для защиты пальцев	2
37	Конденсатор	1	67	Гайка заслонки для защиты пальцев	2
38	Держатель конденсатора	1	68	Болт ручки скобы	1
39	Кнопка измельчения	1	69	Нижняя упругая накладка	1
40	Кнопочный выключатель	1	70	Болт мотора	1
41	Материнская плата	1	71	Шайба скребка для мяса	2
42	Скребок для мяса	1	72	Болт скребка для мяса	2
43	Валик для заточки	1	73	Фиксирующий болт конденсатора	1
44	Основание блока заточки	1	74	Крышка поддона А	1
45	Основание блока заточки в сборе	1	75	Прокладка доски для мяса	1
46	Кнопка заточки	2	76	Крышка поддона В	1
47	Колесо измельчения Ø45	1	77	Болты с утопленной головкой М6×12	2
48	Колесо крупного измельчения Ø45	1	78	Болт скользящей оси для нарезания брикетов	4
49	Штифт точила	2	79	Фиксирующий винт оси квадрата	2
50	Пружина	2	80	Болт регулировки слайдера	1
51	Штифт скобы точила	1	81	Магнит	1
52	Ручка крепления точила	1	82	Магнитный выключатель	1
53	Активная планка пробойника	1	83	Алюминиевый блок	1
54	Резиновая ножка	4	84	Микровыключатель	1
55	Защитное кольцо штифта лезвия	2	85	Замок из нержавеющей стали	1
56	Доска блокировки мяса	1	86	Блок ограничителя	1
57	Скоба скользящей оси	2	87	Планка из нержавеющей стали	1
58	Небольшое колесо ремня мотора	1	88	Установочный винт скобы поддона	1
59	Привод скольжения	1	89	Масляное уплотнение	1
60	Установка колеса ремня	1			



Список деталей (№ позиции : 210017)



№ детали	Название детали	Количество	№ детали	Название детали	Количество
101	Ограждение	1	117	Колесо ремня	1
102	Активная планка	1	118	Штифт колеса для ремня	1
103	Поднос для продуктов	1	119	Ремень SV.400	2
104	Диск защиты лезвия	1	120	Опорное основание	1
105	лезвие	1	121	Кабельная муфта	1
106	Кольцо защиты лезвия	1	122	Скребок для мяса	1
107	Скоба для поддона	1	123	Кнопка измельчения	1
108	Фиксированный рычаг продуктов	1	124	Кнопочный выключатель	1
109	Втулка фиксированного рычага	1	125	Конденсатор	1
110	Ручка	1	126	Держатель конденсатора	1
111	Пластиковая гранула	1	127	Винт ориентации штока	1
112	Двигатель	1	128	Ручка с циферблатом	1
113	Мотор для нарезки брикетов	1	129	Упругая прокладка	1
114	Линия питания	1	130	Эксцентрик 300	1
115	Болты защиты лезвия	1	131	Материнская плата	1
116	Шариковый подшипник 6204	2	132	Штифт нивелира эксцентрика	1



№ детали	Название детали	Количество	№ детали	Название детали	Количество
133	Скользкая ось	1	163	Настройка точила	1
134	Слайдер	1	164	Ø 20 Упругая прокладка для подшипника	1
135	Резиновая ножка	4	165	Упругая прокладка Ø 47 для отверстия	1
136	Ось скольжения для нарезания брикетов	2	166	Гайка для винта с квадратной головкой диска защиты лезвия	1
137	Реле	1	167	Болт ручки фиксированного рычага	1
138	Пружина оси скольжения	2	168	Болт заслонки для защиты пальцев	2
139	Ось скольжения тянущей скобы	1	169	Гайка заслонки для защиты пальцев	2
140	Квадратная ось	1	170	Болт ручки скобы	1
141	Тянущая скоба	1	171	Гайка ручки скобы	1
142	Кнопка тянущей скобы	1	172	Болт dna скобы	1
143	Валик для заточки	1	173	Фиксирующий винт оси квадрата	2
144	Кнопка	2	174	Болт скользкой оси для нарезания брикетов	4
145	Колесо измельчения Ø45	1	175	Болт скользкой оси	1
146	Штифт колеса для удаления обрезков	2	176	Нижняя упругая накладка Ø 12	1
147	Пружина колеса для удаления обрезков	2	177	Шайба скребка для мяса	2
148	Колесо крупного измельчения Ø45	2	178	Болт скребка для мяса	1
149	Ручка крепления точила	1	179	Тонкая прокладка подшипника центра вращения	2
150	Опорное основание наружного кольца	1	180	Болт подшипника центра вращения	2
151	Колесо Ø 4,751	1	181	Замок из нержавеющей стали	1
152	Штифт точильного камня	1	182	Магнит	1
153	Основание блока заточки	1	183	Магнитный выключатель	1
154	Защитное кольцо штифта лезвия	2	184	Блок ограничителя	1
155	Штифт поддона для продуктов	1	185	Микровыключатель	1
156/156А	Доска блокировки мяса	1	186	Крышка поддона А	1
157	Скоба оси скольжения	1	187	Крышка поддона В	1
158	Небольшое колесо ремня мотора	1	188	Тонкая прокладка подшипника центра вращения	1
159	Колесо передачи скольжения	1	189	Масляное уплотнение	1
160	Ручка тянущей скобы	1	190	Планка из нержавеющей стали	1
161	Ось скольжения 608	1	191	Set screw for tray bracket	1
162	Установка колеса ремня	1			



Гарантия

Любая неполадка или поломка, которая влечет за собой неправильную работу устройства, которая будет выявлена в течение первого года от даты покупки, будет устранена бесплатно, или же все устройство будет заменено новым, если оно эксплуатировалось и обслуживалось согласно инструкции по обслуживанию и не использовалось неправильно, или в разрез с назначением. Данное положение ни в коей мере не нарушает иных прав потребителя, изложенных в законо-

дательстве. В случае заявления устройства в ремонт или на замену в рамках гарантии, следует указать место и дату покупки устройства и приложить счет, или чековую квитанцию.

Согласно нашей политике совершенствования наших продуктов оставляем за собой право на внос изменений в конструкцию, упаковку и в технические параметры, указываемые в технической документации без предупреждения.

Утилизация и защита окружающей среды

В случае вывода оборудования из эксплуатации, продукт нельзя утилизировать вместе с другими бытовыми отходами. Пользователь несет ответственность за передачу оборудования в соответствующий пункт приема техники бывшей в употреблении. Несоблюдение вышеуказанного положения может привести к наложению штрафов в соответствии с действующими правилами в отношении утилизации отходов. Селективный сбор и утилизация использованного оборудования способствуют сохранению природных ресурсов и обеспечивают рециркуляцию таким

образом, который не вреден для здоровья и окружающей среды. Для получения дополнительной информации о том, где можно отдать использованное оборудование для утилизации, обратитесь в местную компанию по сбору отходов. Производитель и импортер не несут ответственности за рециркуляцию и переработку отходов экологически безопасным способом, как непосредственно, так и в рамках государственной системы.

Αγαπητέ πελάτη,

Ευχαριστούμε που αγοράσατε αυτό το προϊόν **Hendri**. Διαβάστε προσεκτικά το παρόν εγχειρίδιο πριν συνδέσετε τη συσκευή, προκειμένου να προλάβετε πιθανή βλάβη που μπορεί να οφείλεται σε λαν- θασμένη χρήση. Διαβάστε ιδίως τους κανονισμούς ασφαλείας πολύ προσεκτικά.

Κανονισμοί ασφαλείας


- Αυτή η συσκευή προορίζεται μόνο για επαγγελματική χρήση και δεν πρέπει να χρησιμοποιείται για οικιακή χρήση.
- Η συσκευή πρέπει να χρησιμοποιείται μόνο για τον σκοπό για τον οποίο προορίζεται και σχεδιάστηκε. Ο κατασκευαστής δεν ευθύνεται για τυχόν ζημιές που προκλήθηκαν από εσφαλμένη λειτουργία και ακατάλληλη χρήση.
- Κρατήστε τη συσκευή και το βύσμα μακριά από νερό και άλλα υγρά. Σε περίπτωση που η συσκευή πέσει μέσα σε νερό, αφαιρέστε αμέσως το βύσμα από την πρίζα και μην τη χρησιμοποιήσετε μέχρι να ελεγχθεί η συσκευή από πιστοποιημένο τεχνικό. Η μη τήρηση των οδηγιών ενδέχεται να προκαλέσει κίνδυνο προς τη ζωή.
- Μην επιχειρήσετε ποτέ να ανοίξετε μόνοι σας το περίβλημα της συσκευής.
- Μην εισάγετε αντικείμενα στο περίβλημα της συσκευής.
- Μην αγγίζετε το βύσμα με υγρά χέρια.
- Κίνδυνος ηλεκτροπληξίας! Μην επιχειρήσετε να επισκευάσετε μόνοι σας τη συσκευή. Σε περίπτωση δυσλειτουργίας, οι επισκευές πρέπει να διενεργούνται μόνο από εξειδικευμένο προσωπικό.
- Μην χρησιμοποιείτε ποτέ συσκευή με βλάβη! Σε περίπτωση βλάβης, αποσυνδέστε τη συσκευή από την πρίζα και επικοινωνήστε με τον πωλητή.
- Προειδοποίηση! Μην βυθίζετε τα ηλεκτρικά μέρη της συσκευής σε νερό ή άλλα υγρά. Μην βάζετε ποτέ τη συσκευή κάτω από τρεχούμενο νερό.
- Ελέγχετε τακτικά το βύσμα και το καλώδιο τροφοδοσίας για τυχόν ζημιές. Εάν το βύσμα ή το καλώδιο τροφοδοσίας είναι κατεστραμμένο, πρέπει να αντικατασταθεί από τεχνικό σέρβις ή εξειδικευμένα άτομα για την αποφυγή τυχόν κινδύνου ή τραυματισμού.
- Βεβαιωθείτε ότι το καλώδιο δεν έρχεται σε επαφή με αιχμηρά ή θερμά αντικείμενα και κρατήστε το μακριά από φωτιά. Για να βγάλετε το βύσμα από την πρίζα, να τραβάτε πάντα το βύσμα και όχι το καλώδιο.
- Βεβαιωθείτε ότι το καλώδιο (ή το καλώδιο επέκτασης) είναι τοποθετημένο έτσι ώστε να μην προκαλέσει κίνδυνο να σκοντάψει κανείς.
- Να προσέχετε πάντα τη συσκευή κατά τη χρήση.
- Προειδοποίηση! Όσο το βύσμα είναι στην πρίζα, η συσκευή είναι συνδεδεμένη στην πηγή τροφοδοσίας.
- Απενεργοποιήστε τη συσκευή πριν τραβήξετε το βύσμα από την πρίζα.
- Ποτέ μην μεταφέρετε τη συσκευή από το καλώδιο.
- Μην χρησιμοποιείτε συσκευές που δεν παρέχονται μαζί με τη συσκευή.
- Συνδέστε τη συσκευή μόνο σε ηλεκτρική πρίζα με τάση και συχνότητα που αναφέρονται στην ετικέτα της συσκευής.

GR



- Συνδέστε το βύσμα σε μια εύκολα προσβάσιμη ηλεκτρική πρίζα έτσι ώστε σε περίπτωση έκτακτης ανάγκης η συσκευή να μπορεί να αποσυνδεθεί αμέσως. Για να απενεργοποιήσετε πλήρως τη συσκευή, βγάλτε το βύσμα από την πρίζα.
- Απενεργοποιείτε πάντα τη συσκευή πριν αποσυνδέσετε το βύσμα.
- Μην χρησιμοποιείτε ποτέ εξαρτήματα διαφορετικά από αυτά που συνιστώνται από τον κατασκευαστή. Σε αντίθετη περίπτωση, μπορεί να δημιουργηθεί κίνδυνος για τον χρήστη και να προκληθεί ζημιά στη συσκευή. Χρησιμοποιείτε μόνο αυθεντικά εξαρτήματα και αξεσουάρ.
- Αυτή η συσκευή δεν προορίζεται για χρήση από άτομα (συμπεριλαμβανομένων παιδιών) με μειωμένες σωματικές, αισθητήριες ή διανοητικές ικανότητες ή με έλλειψη πείρας και γνώσης.
- Αυτή η συσκευή δεν πρέπει, σε καμία περίπτωση, να χρησιμοποιείται από παιδιά.
- Κρατήστε τη συσκευή και το καλώδιο μακριά από παιδιά.
- Να αποσυνδέετε πάντα τη συσκευή από το ρεύμα εάν αφήνεται χωρίς επιτήρηση ή δεν χρησιμοποιείται και πριν από εργασίες συναρμολόγησης, αποσυναρμολόγησης ή καθαρισμού.
- Μην αφήνετε ποτέ τη συσκευή χωρίς επιτήρηση ενώ βρίσκεται σε λειτουργία.

Ειδικοί κανόνες ασφαλείας

- Αυτή η συσκευή είναι επαγγελματική μηχανή επεξεργασίας τροφίμων και προορίζεται μόνο για το κόψιμο τροφίμων, π.χ. κρέας, τυρί, λουκάνικο, ψωμί κλπ. Τα τρόφιμα που θα τεμαχιστούν πρέπει να αποψυχθούν, να αποσυσκευαστούν και να μην έχουν κόκαλα για να τεμαχιστούν με τη συσκευή. Οποιαδήποτε άλλη χρήση μπορεί να προκαλέσει ζημιά στη συσκευή ή τραυματισμό.
- Αυτή η συσκευή δεν πρέπει να χρησιμοποιείται για κοπή ή τεμαχισμό κατεψυγμένων τροφίμων, κρέατος με κόκαλα, ψαριών ή οποιουδήποτε μη εδωδίου προϊόντος κ.λπ.
- Χρησιμοποιήστε τη συσκευή μόνο όπως περιγράφεται σε αυτό το εγχειρίδιο.
- Αυτή η συσκευή πρέπει να χρησιμοποιείται από εκπαιδευμένο προσωπικό στην κουζίνα του εστιατορίου, σε κυλικεία, από άτομα που εργάζονται σε μπαρ κλπ.
- Μην τοποθετείτε τη συσκευή πάνω σε θερμαντικά αντικείμενα. (Βενζίνη, ηλεκτρική κουζίνα, σάρα με κάρβουνα κλπ.). Κρατήστε τη συσκευή μακριά από θερμές επιφάνειες και γυμνή φλόγα. Χρησιμοποιείτε πάντα τη συσκευή σε επίπεδη, σταθερή, καθαρή, ανθεκτική στη θερμότητα και στεγνή επιφάνεια.
- Αυτή η συσκευή δεν προορίζεται για λειτουργία με εξωτερικό χρονοδιακόπτη ή ξεχωριστό σύστημα τηλεχειρισμού.
-  Παρέχεται ένας θερματικός σταθμός πρόσδεσης που επιτρέπει την εγκάρσια σύνδεση με άλλο εξοπλισμό.
- **ΝΜ**ην παραβιάζετε ποτέ τους μηχανισμούς ασφαλείας της συσκευής.
- **ΠΡΟΕΙΔΟΠΟΙΗΣΗ:** Διατηρήστε όλες τις οπές αερισμού καθαρές από εμπόδια.
- **ΠΡΟΕΙΔΟΠΟΙΗΣΗ:** Αποσυνδέετε **ΠΑΝΤΑ** τη συσκευή από το ρεύμα πριν τον καθαρισμό, τη συντήρηση και την αποθήκευση.
- **ΠΡΟΕΙΔΟΠΟΙΗΣΗ:** Έχετε **ΠΑΝΤΑ** τα χέρια, τα μακριά μαλλιά και τα ρούχα σε απόσταση από τα κινούμενα μέρη.

- **ΠΡΟΕΙΔΟΠΟΙΗΣΗ:** Προσέξτε ιδιαίτερα όταν χειρίζεστε τη λεπίδα κοπής. Φορέστε προστατευτικά γάντια (δεν παρέχονται), αν είναι απαραίτητο.
- Αφήστε τουλάχιστον 15 cm απόσταση γύρω από τη συσκευή για αερισμό όταν χρησιμοποιείτε τη συσκευή.
- **Προσοχή!** Στερεώστε το καλώδιο τροφοδοσίας εάν είναι απαραίτητο για να αποφύγετε ακούσιο τράβηγμα ή επαφή με την επιφάνεια θέρμανσης.
- Μην πλένετε τη συσκευή με νερό ή εκτόξευση νερού. Το πλύσιμο με νερό μπορεί να προκαλέσει διαρροή και να αυξήσει τον κίνδυνο ηλεκτροπληξίας. Κανένα τμήμα της συσκευής δε μπορεί να πλυθεί σε πλυντήριο πιάτων.
- Μην καθαρίζετε και μην αποθηκεύετε τη συσκευή, εάν δεν έχει παγώσει τελείως.
- Μην μετακινείτε τη συσκευή, όταν είναι σε λειτουργία. Αποσυνδέστε τη συσκευή από τη πρίζα όταν τη μετακινείτε και κρατάτε την από τη βάση.
- Δώστε ιδιαίτερη προσοχή κατά τη μετακίνηση ή τη μεταφορά της συσκευής λόγω του μεγάλου βάρους. Χρησιμοποιήστε τουλάχιστον 2 άτομα ή φορείο για βοήθεια. Μετακινήστε το μηχάνημα αργά, προσεκτικά και ποτέ μην δίνετε κλίση μεγαλύτερη από 45 °.

Προβλεπόμενη χρήση

- Η συσκευή προορίζεται για επαγγελματική χρήση και πρέπει να χρησιμοποιείται μόνο από ειδικευμένο προσωπικό.
- Η συσκευή αυτή είναι σχεδιασμένη μόνο για την κοπή τροφίμων, π.χ. κρεατικά, τυριά, ψωμί, κ.τ.λ. Η χρήση οποιουδήποτε άλλου μπορεί να οδηγήσει σε ζημιά στο συσκευή ή σε τραυματισμό. Οποιαδή-

ποτε άλλη χρήση μπορεί να προκαλέσει ζημιά στη συσκευή ή τραυματισμό.

- Η χρήση της συσκευής για οποιονδήποτε άλλο σκοπό θεωρείται εσφαλμένη. Ο χρήστης είναι αποκλειστικά υπεύθυνος για την μη κατάλληλη χρήση της συσκευής.

GR

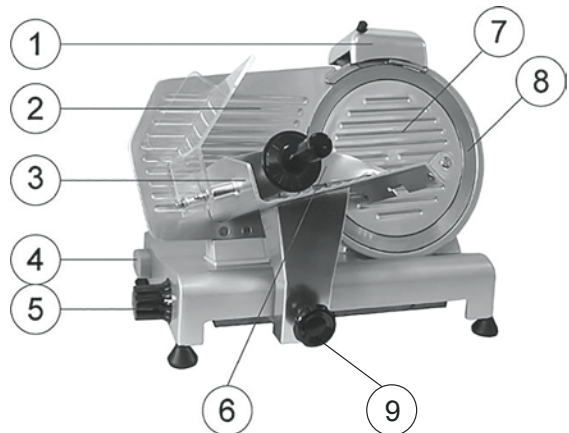
Γείωση

Αυτή η συσκευή ταξινομείται στην κλάση προστασίας Ι και πρέπει να συνδέεται με γείωση προστασίας. Η γείωση μειώνει τον κίνδυνο ηλεκτροπληξίας παρέχοντας ένα καλώδιο διαφυγής για το ηλεκτρικό ρεύμα.

Αυτή η συσκευή είναι εξοπλισμένη με καλώδιο που φέρει καλώδιο γείωσης με βύσμα γείωσης. Το βύσμα πρέπει να είναι συνδεδεμένο σε σωστά τοποθετημένη και γειωμένη πρίζα.

Κύρια τμήματα της συσκευής

- 1 Ακονιστήρι
- 2 Επιφάνεια αναστολής
- 3 Κινούμενος δίσκος
- 4 Διακόπτης ενεργοποίησης/ απενεργοποίησης ON/OFF [Λευκό (I): ON, Μαύρο (O): OFF]
- 5 Ρυθμιστής πάχους φετών
- 6 Σφικτήρας προϊόντος
- 7 Προστατευτικό κάλυμμα λεπίδας
- 8 Λεπίδα
- 9 Βίδα προστατευτικού καλύμματος
- 10 Βίδα ασφάλισης λεπίδας (δεν απεικονίζεται)

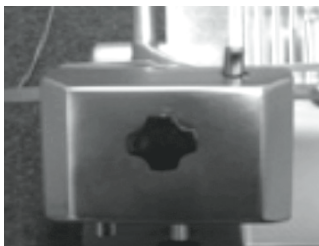


Προετοιμασίες πριν την αρχική χρήση

- Ελέγξτε τη συσκευή και βεβαιωθείτε ότι υπάρχουν όλα τα εξαρτήματα. Εάν λείπουν εξαρτήματα, επικοινωνήστε με τον προμηθευτή σας.
- Αφαιρέστε όλα τα υλικά συσκευασίας.
- Ελέγξτε τη συσκευή για πληρότητα και ζημιές κατά τη μεταφορά. Σε περίπτωση ελλιπούς παράδοσης ή βλάβης, επικοινωνήστε αμέσως με τον προμηθευτή. ΜΗΝ χρησιμοποιήσετε τη συσκευή. (Δείτε ==> Εγγύηση).
- Καθαρίστε τη λεπίδα. Προσοχή: Η λεπίδα είναι εξαιρετικά κοφτερή. (Εάν χρειάζεται, χρησιμοποιήστε γάντια - δεν περιλαμβάνονται)
- Αφήστε κενό χώρο τουλάχιστον 10 cm γύρω από τη συσκευή για να υπάρχει επαρκής αερισμός.
- Τοποθετήστε τη συσκευή με τέτοιο τρόπο ούτως ώστε να υπάρχει πρόσβαση στο φινι ανά πάσα στιγμή.
- Εάν το ακονιστήρι δεν είναι προσαρτημένο, προχωρήστε ως εξής:



1. Κάτση της συσκευής



2. Τοποθετήστε τη μονάδα ακονισματος με τέτοιο τρόπο που η λεπίδα να μην κινείται μεταξύ των γραναζιών.

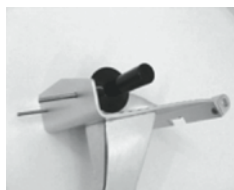


3. Ασφαλίστε το ακονιστήρι στη συσκευή σφίγγοντας το εξάρτημα συγκράτησης. Ελέγξτε για να βεβαιωθείτε ότι το ακονιστήρι είναι καλά στερεωμένο πριν τη χρήση του μηχανήματος.

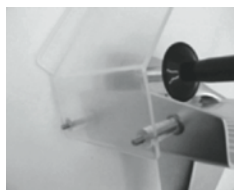
GR

Ασφαλίστε το ακονιστήρι στη συσκευή σφίγγοντας το εξάρτημα συγκράτησης. Ελέγξτε για να βεβαιωθείτε ότι το ακονιστήρι είναι καλά στερεωμένο πριν τη χρήση του μηχανήματος.

- Τοποθετήστε το προστατευτικό χειριών.



1. Τοποθετήστε και τις δύο βίδες στον κινούμενο δίσκο.



2. Τοποθετήστε το προστατευτικό χειριών



3. Τοποθετήστε τις δύο ροδέλες πάνω από τις βίδες.



4. Βιδώστε από πάνω τα δύο καλύμματα βιδών.

ΣΗΜΕΙΩΣΗ! Σας συμβουλεύουμε να μην χρησιμοποιήσετε τη συσκευή εάν το προστατευτικό χειριών δεν είναι τοποθετημένο όπως ορίζεται στις οδηγίες! Αυτά είναι εξαρτήματα ασφαλείας που προλαμβάνουν πιθανούς τραυματισμούς. Εάν δεν τοποθετήσετε αυτά τα εξαρτήματα, θα υπάρχει κίνδυνος να σημειωθεί τραυματισμός.

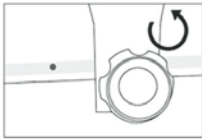


Οδηγίες χρήσης

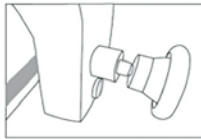
- Τοποθετήστε τη συσκευή με τρόπο που ο διακόπτης ON/OFF να είναι στραμμένος προς το χρήστη.
 - Αν δεν έχει τοποθετηθεί το ακονιστήρι λεπίδας, συνεχίστε ως εξής:
 - Τοποθετήστε το ακονιστήρι λεπίδας στη βάση του, έτσι ώστε η λεπίδα να μην προεξέχει μεταξύ των γραναζιών.
 - Σφίξτε τη βίδα ασφαλείας στο ακονιστήρι.
 - ΣΗΜΕΙΩΣΗ: Η συσκευή διαθέτει ένα διακόπτη ασφαλείας και θα απενεργοποιηθεί αυτόματα αν αφαιρεθεί το ακονιστήρι.
 - Βάλτε το φλις στην πρίζα.
- Γυρίστε το ρυθμιστή πάχους με διαβαθμίσεις στο επιθυμητό πάχος φετών.
 - Ενεργοποιήστε τη συσκευή πιέζοντας το «ΛΕΥΚΟ (I)» κουμπί του διακόπτη ON/OFF
 - Τοποθετήστε το τροφίμο πάνω στον κινούμενο δίσκο και προσαρμόστε τον σφιγκτήρα ώστε να συγκρατεί το προϊόν σταθερά στη θέση του. Βεβαιωθείτε ότι το προϊόν είναι τοποθετημένο πάνω στην επιφάνεια αναστολής.
 - Μετά το κόψιμο του τροφίμου, απενεργοποιήστε τη συσκευή πιέζοντας το "ΜΑΥΡΟ (O)" κουμπί στον διακόπτη ON/OFF.
 - Γυρίστε τον ρυθμιστή πάχους ξανά στο "0".

Τρόπος ασφάλισης του μηχανήματος κοπής σε φέτες

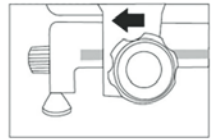
- 1 Γυρίστε το διακόπτη αριστερόστροφα.



- 2 Συνεχίστε να γυρίζετε το διακόπτη μέχρι να ξεβιδωθεί ΤΕΛΕΙΩΣ.

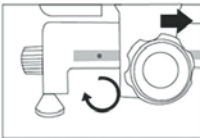


- 3 Μετακινήστε τον κινούμενο δίσκο στην κατάλληλη θέση και το μηχάνημα κοπής σε φέτες θα ασφαλίσει αυτόματα. cznie



Τρόπος απασφάλισης του μηχανήματος κοπής σε φέτες

- 1 Γυρίστε το διακόπτη δεξιόστροφα για να απασφαλίσετε το μηχάνημα κοπής σε φέτες. Θα πρέπει να γυρίσετε το διακόπτη ΤΕΛΕΙΩΣ για να αφίξετε τον κινούμενο δίσκο.



Ακόνισμα της λεπίδας

Ακονίστε τη λεπίδα μόλις στομώσει. Η λεπίδα είναι ιδιαίτερα ανθεκτική στη φθορά. Εάν χρησιμοποιείται τακτικά και με το σωστό τρόπο, κανονικά θα χρειάζε-ται ακόνισμα μόνο μία φορά το χρόνο.

- Βγάλτε το φιν από την πρίζα.
- Γυρίστε τον ρυθμιστή πάχους στο "0".
- Καθαρίστε τη λεπίδα.
- Ξεβιδώστε το διακόπτη ασφάλισης από το ακονιστήρι.
- Ανασπώστε το ακονιστήρι από τη συσκευή ασφάλειάς του και γυρίστε τον κατά 180°.
- Και οι δύο πλευρές της λεπίδας θα πρέπει να διαθέτουν μία πέτρα ακονίσματος.
- Χαμηλώστε το ακονιστήρι μέχρι να επανέλθει και να κομπώσει στη συσκευή ασφάλειας.
- Στερεώστε το ακονιστήρι στη θέση του σφίγγοντας το διακόπτη.
- Ενεργοποιήστε τη συσκευή. Η λεπίδα θα αρχίσει να περιστρέφεται.
- Χρησιμοποιήστε το κουμπί για να πιέσετε την κεκλιμένη πέτρα ακονίσματος πάνω στη λεπίδα και κρατήστε τη στη θέση αυτή για 2 λεπτά. Η πέτρα ακονίσματος θα πρέπει να περιστρέφεται μαζί με τη λεπίδα.

GR

Καθαρισμός και συντήρηση

- Προσοχή: Αποσυνδέετε πάντα τη συσκευή από την πρίζα και αφήστε τη να κρυώσει εντελώς πριν από τον καθαρισμό και την αποθήκευση και ρυθμίστε το κουμπί του πάχους φέτας στη θέση «0».
- Καθαρίζετε τη συσκευή μετά από κάθε χρήση.
- Προειδοποίηση: Ποτέ μην βυθίζετε τη συσκευή στο νερό ή σε άλλο υγρό!
- Χρησιμοποιήστε ένα υγρό πανί για να καθαρίσετε τις επιφάνειες (διάλυμα νερού και ήπιου καθαριστικού).
- Μην χρησιμοποιείτε ποτέ διαβρωτικά ή λειαντικά καθαριστικά. Μην χρησιμοποιείτε κοφτερά ή αιχμηρά αντικείμε-

- Χρησιμοποιήστε το κουμπί για να πιέσετε την κάθετη πέτρα ακονίσματος στιγμιαία πάνω στη λεπίδα για να αφαιρεθούν τα υπολείμματα του ακονίσματος. Η πέτρα ακονίσματος θα πρέπει να περιστρέφεται μαζί με τη λεπίδα.
- Απενεργοποιήστε τη συσκευή και βγάλτε το φιν από την πρίζα.
- Ξεβιδώστε το διακόπτη ασφάλισης από το ακονιστήρι και καθαρίστε τις πέτρες με αλκοόλη.
- Επανατοποθετήστε το ακονιστήρι στην αρχική του θέση στη συσκευή και σφίξτε την ασφάλεια για να το στερεώσετε στη θέση του. Η λεπίδα δεν πρέπει να προεξέχει ανάμεσα στις πέτρες ακονίσματος.
- Βυθίστε τη σε χλιαρό σαπουνόνερο για αρκετά λεπτά. Ξεπλύνετε και στεγνώστε τη καλά.
- Βάλτε το φιν στην πρίζα τοίχου. Χειριστείτε τη με μεγάλη προσοχή.
- Η συσκευή είναι έτοιμη για χρήση.

να για τον καθαρισμό. Μην χρησιμοποιείτε βενζίνη ή διαλυτικά!

Καθαρίστε με ένα υγρό πανί. Χρησιμοποιήστε υγρό σαπούνι εάν χρειάζεται αλλά ποτέ μην χρησιμοποιείτε διαβρωτικά καθαριστικά.

- Βυθίστε τη σε χλιαρό σαπουνόνερο για αρκετά λεπτά. Ξεπλύνετε και στεγνώστε τη καλά.
- Χειριστείτε τη με μεγάλη προσοχή.
- Εάν ο κινούμενος δίσκος τροφίμων πάψει να κινείται ομαλά, γυρίστε τη συσκευή στο πλάι της. Καθαρίστε προσεκτικά τη ράβδο ολίσθησης και λιπάνετέ τη με βαζελίνη.

Αποθήκευση

- Πριν την αποθήκευση, βεβαιωθείτε ότι η συσκευή έχει αποσυνδεθεί από την πρίζα και ότι έχει κρυώσει εντελώς.
- Αποθηκεύστε τη συσκευή σε δροσερό, καθαρό και στεγνό μέρος.



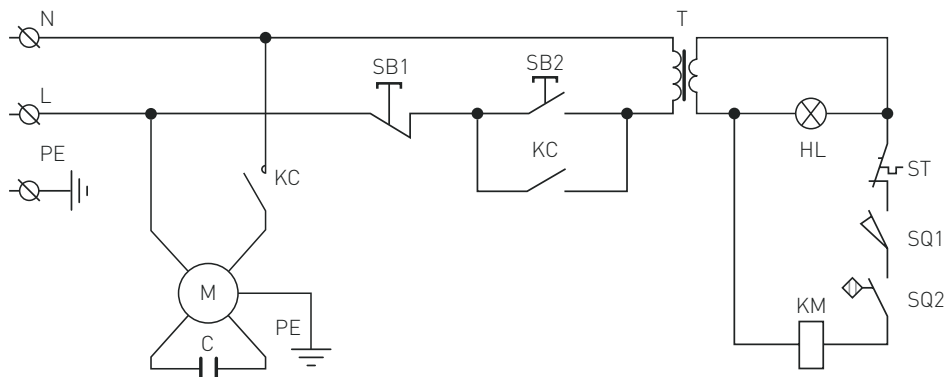
Αντιμετώπιση προβλημάτων

Αν η συσκευή δεν λειτουργεί σωστά, συμβουλευτείτε τον παρακάτω πίνακα για πιθανές λύσεις. Αν συνεχίσετε να μην μπορείτε να επιλύσετε το πρόβλημα, επικοινωνήστε με τον προμηθευτή/πάροχο σέρβις.

Πρόβλημα	Πιθανή αιτία	Λύση
Η συσκευή δεν κόβει ομοιόμορφα	Στορωμένη λεπίδα	Ακονίστε τη λεπίδα
	Βρώμικη συσκευή	Καθαρίστε τη συσκευή
Η συσκευή σταματάει να κόβει	Υπερθερμασμένο μοτέρ	Αφήστε το μηχάνημα να κρυώσει για αρκετό διάστημα. Ο θερμοστάτης ασφαλείας του μοτέρ θα κάνει αυτόματη επαναφορά.
Ο κινούμενος δίσκος δεν ολισθαίνει	Βρώμικη ράβδος ολίσθησης	Καθαρίστε τη ράβδο ολίσθησης και λιπάνετε τη με βαζελίνη.
	Έχει κολλήσει φαγητό στη λεπίδα	Απενεργοποιήστε τη συσκευή και αποσυνδέστε την από την πρίζα. Περιμένετε να σταματήσει τελείως. Αφαιρέστε τυχόν αντικείμενα που μπορεί να φράξουν. Σκουπίστε τη λεπίδα με ένα υγρό πανί.
Η λεπίδα σταματάει όταν τεμαχίζει το προϊόν	Φθαρμένος ή βρώμικος ψάντας κίνησης	Επικοινωνήστε με τον προμηθευτή

Διάγραμμα κυκλώματος για τα μοντέλα 210000, 210017, 210031, 210048

Είσοδος τάσης AC: AC220-240V 50Hz



M : Κινητήρας

T : Μετασχηματιστής

C : Πυκνωτής

PE : Προστατευτική γείωση (Γείωση)

L : Με ρεύμα

N : Ουδέτερο

SB1, SB2 : Διακόπτης

KC : Ρελέ

HL : Ενδεικτική λυχνία

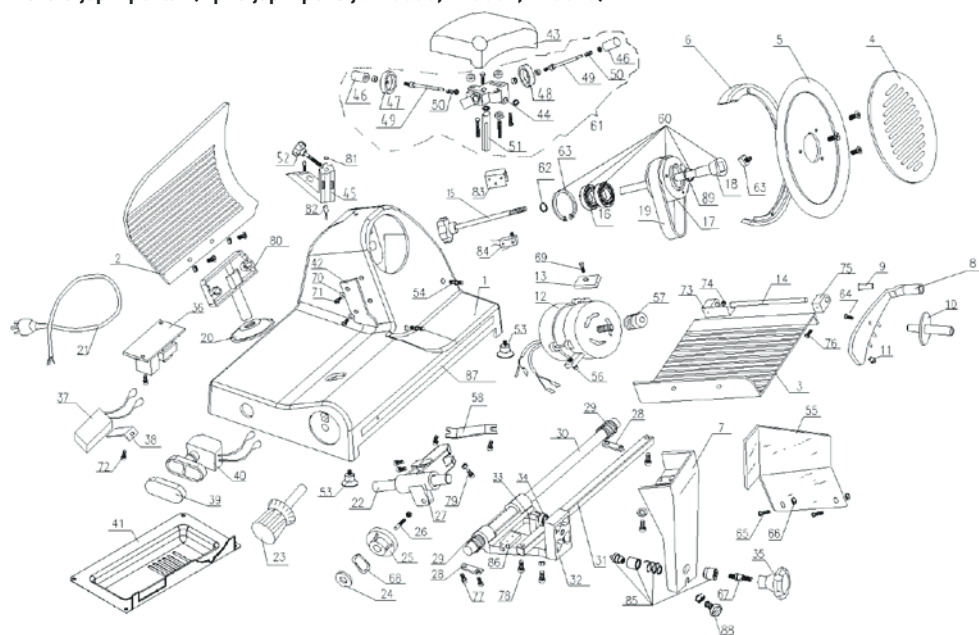
ST : Θερμική διακοπή

SQ1, SQ2 : Μικροδιακόπτης

GR



Λίστα εξαρτημάτων (Αρ. εξαρτήματος: 210000, 210031, 210048)



GR

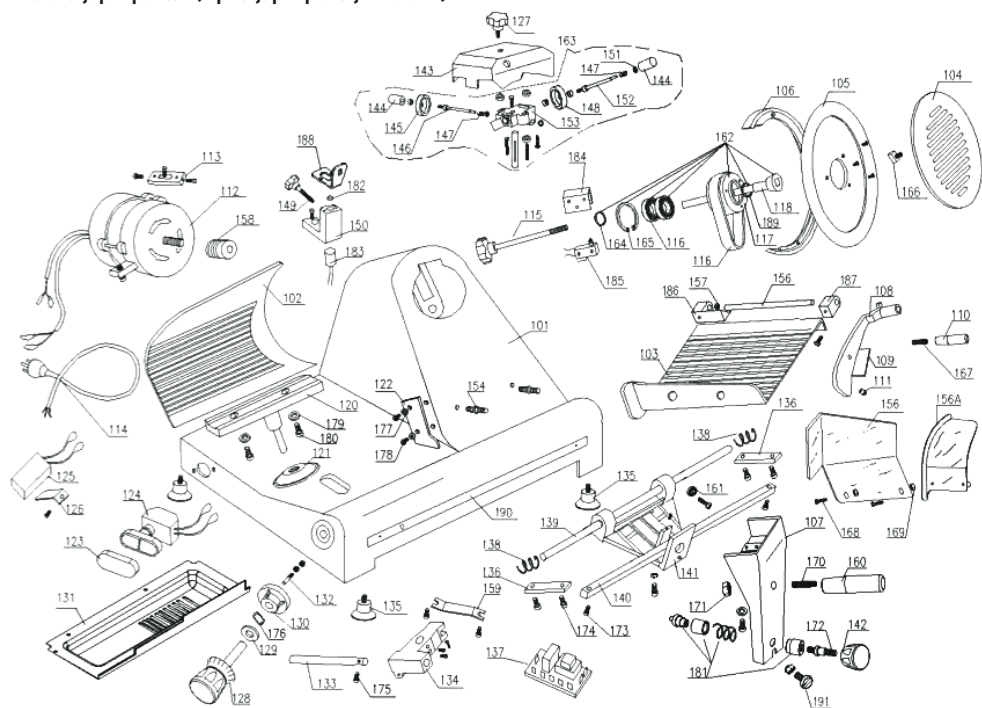
Αρ. εξαρτήματος	Όνομα εξαρτήματος	Ποσότητα	Αρ. εξαρτήματος	Όνομα εξαρτήματος	Ποσότητα
1	Περίβλημα	1	18	Πείρος τροχού ιμάντα	2
2	Ενεργός δονητής	1	19	Ιμάντας SV.330	2
3	Δίσκος τροφίμων	1	20	Πλευρικό κάλυμμα	1
4	Δίσκος προστασίας λεπίδας	1	21	Γραμμή ρεύματος	1
5	Λεπίδα	1	22	Πλευρικός άξονας	1
6	Δακτύλιος προστασίας λεπίδας	1	23	Κουμπι με κλίμακα	1
7	Βάση δίσκου	1	24	Φλάντζα ελατηρίου	1
8	Τρόφιμα και σταθερός βραχίονας	1	25	Έκκεντρο	1
9	Ρουλεμάν σταθερού βραχίονα	1	26	Έκκεντρο επαφής	1
10	Λαβή σταθερού βραχίονα	1	27	Ολοσθητής	1
11	Πλαστικό	1	28	Μηρικήτα συρόμενου άξονα	2
12	Κινητήρας	1	29	Ελατήριο συρόμενου άξονα βραχίονα ρυμούλκησης	2
13	Μηρικήτα κινητήρα	1	30	Άξονας βραχίονα ρυμούλκησης	1
14	Πείρος σταθερού βραχίονα Ø12x185	1	31	Τεταρτημόριο άξονα	1
15	Προστατευτικά μπουλόνια λεπίδας	1	32	Βάση ρυμούλκησης	1
16	Ρουλεμάν 6202	2	33	M8x35 Εξάγωνη βίδα	1
17	Τροχός ιμάντα λεπίδας Ø66	1	34	Ρουλεμάν 607	1



Αρ. εξαρτήματος	Όνομα εξαρτήματος	Ποσότητες	Αρ. εξαρτήματος	Όνομα εξαρτήματος	Ποσότητες
35	Κοχλίας καλύμματος βάσης ρυμούλκησης	1	63	Ø15 Φλάντζα ελατηρίου ρουλεμάν	1
36	Ρελέ	1	64	Τετράγωνο παξιμάδι προστατευτικού δίσκου λεπίδας	1
37	Πυκνωτής	1	65	Μπουλόνι λαβής σταθερού βραχίονα	1
38	Συγκράτηση πυκνωτή	1	66	Μπουλόνι διαφράγματος δακτύλου	2
39	Κάλυμμα κουμπιών	1	67	Παξιμάδι διαφράγματος δακτύλου	2
40	Κουμπί διακόπτη	1	68	Κοχλίας βραχίονα	1
41	Πλακέτα	1	69	Ελαστικό παρέμβυσμα	1
42	Κρεατομηχανή	1	70	Μπουλόνι κινητήρα	1
43	Κάλυμμα τροχιστή	1	71	Ροδέλα κρεατομηχανής	2
44	Βάση υποσυγκροτήματος ακονιστή	2	72	Μπουλόνι αποξεστήρα κρέατος	2
45	Βάση συναρμολόγησης ακονιστή	1	73	Σφιγκτήρας στερέωσης πυκνωτή	1
46	Κουμπί ακονιστή	1	74	Κάλυμμα ρουλεμάν δίσκου Α	1
47	Τροχός λεπτής άλεσης Ø45	2	75	Βραχίονας πλαίσιο κρέατος	1
48	Τροχός αργού αλέσματος Ø45	2	76	Κάλυμμα ρουλεμάν δίσκου Β	1
49	Πείρος τριβείου	1	77	Σταυροειδής βυθισμένη κεφαλή Μ6×12	2
50	Ελατήριο	1	78	Μπουλόνι μπρικέτας συρόμενου άξονα	4
51	Πείρος βραχίονα ακονιστή	1	79	Βίδα ασφάλισης τετραγωνικού άξονα	2
52	Κουμπί σύσφιξης ακονιστή	4	80	Μπουλόνι ρύθμισης ολίσθησης	1
53	Τριβέλι ενεργού δονητή	2	81	Μαγνήτης	1
54	Πόδι καουτσούκ	1	82	Διακόπτης μαγνήτη	1
55	Πείρος δακτύλιου προστασίας λεπίδας	2	83	Μονάδα αλουμινίου	1
56	Πλαίσιο απομόνωσης κρέατος	1	84	Μικροδιακόπτης	1
57	Βραχίονας συρόμενου άξονα	2	85	Κλειδαριά από ανοξείδωτο χάλυβα	1
58	Μικρός τροχός μάντα κινητήρα	1	86	Μονάδα περιορισμού	1
59	Οδηγός ολίσθησης	1	87	Μπάρα από ανοξείδωτο χάλυβα	1
60	Ρύθμιση τροχού μάντα	1	88	Ρυθμιστική βίδα βάσης δίσκου	1
61	Ρύθμιση ακονιστή	1	89	Τάπα λαδιού	1
62	Ø15 Φλάντζα ελατηρίου ρουλεμάν	1			



Λίστα εξαρτημάτων (Αρ. εξαρτήματος: 210017)



GR

Αρ. εξαρτήματος	Όνομα εξαρτήματος	Ποσότητες	Αρ. εξαρτήματος	Όνομα εξαρτήματος	Ποσότητες
101	Περιβλήμα	1	118	Πείρος τροχού μάντα	1
102	Ενεργός δοντής	1	119	Ιμάντας SV.400	2
103	Δίσκος τροφίμων	1	120	Βάση υποστήριξης	1
104	Προστατευτικός δίσκος λεπίδας	1	121	Μανδύας καλωδίων	1
105	λεπίδα	1	122	Αποξεστήρας κρέατος	1
106	Δακτύλιος προστασίας λεπίδας	1	123	Κάλυμμα κουμπιών	1
107	Βάση δίσκου	1	124	Κουμπί διακόπτη	1
108	Σταθερός βραχίονας φαγητού	1	125	Πυκνωτής	1
109	Ρουλεμάν σταθερού βραχίονα	1	126	Συγκρατητής πυκνωτή	1
110	Λαβή	1	127	Βίδα προσαρμοσμού	1
111	Πλαστικό	1	128	Κουμπί με κλίμακα	1
112	Κινητήρας	1	129	Φλάντζα ελατηρίου	1
113	Μπρικέτα κινητήρα	1	130	Έκκεντρο300	1
114	Γραμμή ρεύματος	1	131	Πλακέτα	1
115	Προστατευτικά μπουλόνια λεπίδας	1	132	Πείρος έκκεντρου επαφής	1
116	Ρουλεμάν 6204	2	133	Συρόμενος άξονας	1
117	Τροχός μάντα	1	134	Ολισθητήρας	1



Αρ. εξαρτήματος	Όνομα εξαρτήματος	Ποσό- τητα	Αρ. εξαρ- τήματος	Όνομα εξαρτήματος	Ποσό- τητα
135	Πόδι καουτσούκ	4	164	Ø 20 Φλάντζα ελατηρίου ρουλεμάν	1
136	Μπρικέτα συρόμενου άξονα	2	165	Ø 47Φλάντζα ελατηρίου οπής	1
137	Ρελέ	1	166	Τετράγωνο παξιμάδι προστατευτικού δίσκου λεπίδας	1
138	Ελατήριο συρόμενου άξονα	2	167	Μπουλόνι λαβής σταθερού βραχίονα	1
139	Συρόμενος άξονας βραχίονα ρυμούλκησης	1	168	Μπουλόνι διαφράγματος δακτύλου	2
140	Τεταρτημόριο άξονα	1	169	Παξιμάδι διαφράγματος δακτύλου	2
141	Βάση ρυμούλκησης	1	170	Κοχλίας βραχίονα	1
142	Κουμπί βραχίονα ρυμούλκησης	1	171	Παξιμάδι βραχίονα	1
143	Κάλυμμα τροχιστή	1	172	Μπουλόνι βραχίονα	1
144	Κουμπί	2	173	Βίδα ασφάλισης τετραγωνικού άξονα	2
145	Τροχός λεπτής άλεσης Ø45	1	174	Μπουλόνι μπρικέτας συρόμενου άξονα	4
146	Πείρος τροχού καθαρισμού	2	175	Μπουλόνι συρόμενου άξονα	1
147	Ελατήριο τροχού καθαρισμού	2	176	Ø 12 Ελαστικό παρέμβυσμα	1
148	Τροχός αργού αλέσματος Ø45	2	177	Ροδέλα κρεατομηχανής	2
149	Κουμπί σύσφιξης ακονιστή	1	178	Μπουλόνι αποξεστήρα κρέατος	1
150	Βάση στήριξης εξωτερικού δακτυλίου	1	179	Ρουλεμάν υπομόχλιου	2
151	Ø 4.751 Τροχός	1	180	Μπουλόνι ρουλεμάν υπομόχλιου	2
152	Πείρος πέτρας τριβής	1	181	Κλειδαριά από ανοξείδωτο χάλυβα	1
153	Βάση ακονιστή υποσυγκροτήματος	1	182	Μαγνήτης	1
154	Πείρος προστατευτικού δακτυλίου λεπίδας	2	183	Διακόπτης μαγνήτη	1
155	Πείρος δίσκου τροφίμων	1	184	Μονάδα περιορισμού	1
156/156A	Πλαίσιο απομόνωσης κρέατος	1	185	Μικροδιακόπτης	1
157	Βραχίονας συρόμενου άξονα	1	186	Κάλυμμα ρουλεμάν δίσκου Α	1
158	Μικρός τροχός ιμάντα κινητήρα	1	187	Κάλυμμα ρουλεμάν δίσκου Β	1
159	Τροχός πλευρικής μετάδοσης	1	188	Ρουλεμάν υπομόχλιου	1
160	Λαβή βραχίονα ρυμούλκησης	1	189	Τάπα λαδιού	1
161	Συρόμενος άξονας 608	1	190	Μπάρα από ανοξείδωτο χάλυβα	1
162	Ρύθμιση τροχού ιμάντα	1	191	Ρυθμιστική βίδα βάσης δίσκου	1
163	Ρύθμιση ακονιστή	1			



Εγγύηση

Οποιοδήποτε ελάττωμα επηρεάζει τη λειτουργικότητα της συσκευής που γίνεται προφανές ένα χρόνο μετά την αγορά της, θα διορθώνεται με δωρεάν επισκευή ή αντικατάσταση, αρκεί η συσκευή να έχει χρησιμοποιηθεί και συντηρηθεί σύμφωνα με τις οδηγίες και να μην έχει γίνει κατάχρηση ή λανθασμένη χρήση της με οποιονδήποτε τρόπο. Δε θίγονται τα νόμιμα δικαιώματά σας. Εάν η συσκευή υποστηρίζεται από εγγύηση, δηλώστε πού και πότε έχει αγοραστεί

και συμπεριλάβετε την απόδειξη αγοράς (π.χ. απόδειξη λιανικής πώλησης).

Σύμφωνα με την πολιτική μας για τη συνεχή εξέλιξη των προϊόντων μας, διατηρούμε το δικαίωμα να αλλάξουμε το προϊόν, τη συσκευασία και τις προδιαγραφές τεκμηρίωσής του χωρίς προειδοποίηση.

Απόρριψη & Περιβάλλον

Η συσκευή, μετά το πέρας της διάρκειας ζωής της, δεν πρέπει να απορρίπτεται ως οικιακό απόρριμμα. Πρέπει να απορρίπτεται, με δική σας ευθύνη, σε καθορισμένο σημείο συλλογής. Η μη τήρηση αυτού ενδέχεται να τιμωρείται σύμφωνα με τους ισχύοντες κανονισμούς για τη διάθεση των απορριμμάτων. Η χωριστή συλλογή και ανακύκλωση αυτής της συσκευής κατά τη στιγμή της απόρριψης βοηθά στη διατήρηση των φυσικών πόρων και εξασφαλίζει την

ανακύκλωσή της με τρόπο που προστατεύει την ανθρώπινη υγεία και το περιβάλλον. Για περισσότερες πληροφορίες σχετικά με το πού μπορείτε να απορρίψετε τη συσκευή για ανακύκλωση, επικοινωνήστε με την τοπική εταιρεία συλλογής απορριμμάτων. Οι κατασκευαστές και οι εισαγωγείς δεν αναλαμβάνουν την ευθύνη ανακύκλωσης, επεξεργασίας και οικολογικής διάθεσης, είτε άμεσα είτε μέσω δημόσιου συστήματος.

ΣΕΡΒΙΣ ΕΛΛΑΔΟΣ:

Serviceworld

τηλ.: 210.6203.838 (10 γραμμές)

info@serviceworld.gr

www.serviceworld.gr

GR





Hendi B.V.

Steenoven 21
3911 TX Rhenen, The Netherlands
Tel: +31 (0)317 681 040
Email: info@hendi.eu

Hendi Polska Sp. z o.o.

ul. Magazynowa 5
62-023 Gądk, Poland
Tel: +48 61 6587000
Email: info@hendi.pl

Hendi Food Service Equipment GmbH

Gewerbegebiet Ehring 15
5112 Lamprechtshausen, Austria
Tel: +43 (0) 6274 200 10 0
Email: office.austria@hendi.eu

Hendi UK Ltd.

Central Barn, Hornby Road
Lancaster, LA2 9JX, United Kingdom
Tel: +44 (0)333 0143200
Email: sales@hendi.co.uk

Hendi Food Service Equipment Romania Srl

Str. 13 decembrie 94A, Hala 14
Braşov, 500164, Romania
Tel: +40 268 320330
Email: office@hendi.ro

PKS Hendi South East Europe SA

5 Metsovou Str.
18346 Moschato, Athens, Greece
Tel: +30 210 4839700
Email: office.greece@hendi.eu

Hendi HK Ltd.

1208, 12/F Exchange Tower
33 Wang Chiu Road, Kowloon Bay, Hong Kong
Tel: +852 2154 2618
Email: info-hk@hendi.eu

Find Hendi on internet:

www.hendi.eu
www.facebook.com/HendiFoodServiceEquipment
www.linkedin.com/company/hendi-food-service-equipment-b.v.
www.youtube.com/HendiEquipment

- Changes, printing and typesetting errors reserved.
- Änderungen und Druckfehler vorbehalten.
- Wijzigingen en drukfouten voorbehouden.
- Producent zastrzega sobie prawo do zmian oraz błędów drukarskich w instrukcji.
- Variations et fautes d'impression réservés.

- Errori di cambiamenti, di stampa e di impaginazione riservati.
- Drepturi rezervate cu privire la modificări și greșeli de imprimare.
- Изменения, печати и верстки ошибки защищены.
- Με επιφύλαξη αλλαγών, λαθών εκτύπωσης και στοιχειοθεσίας.